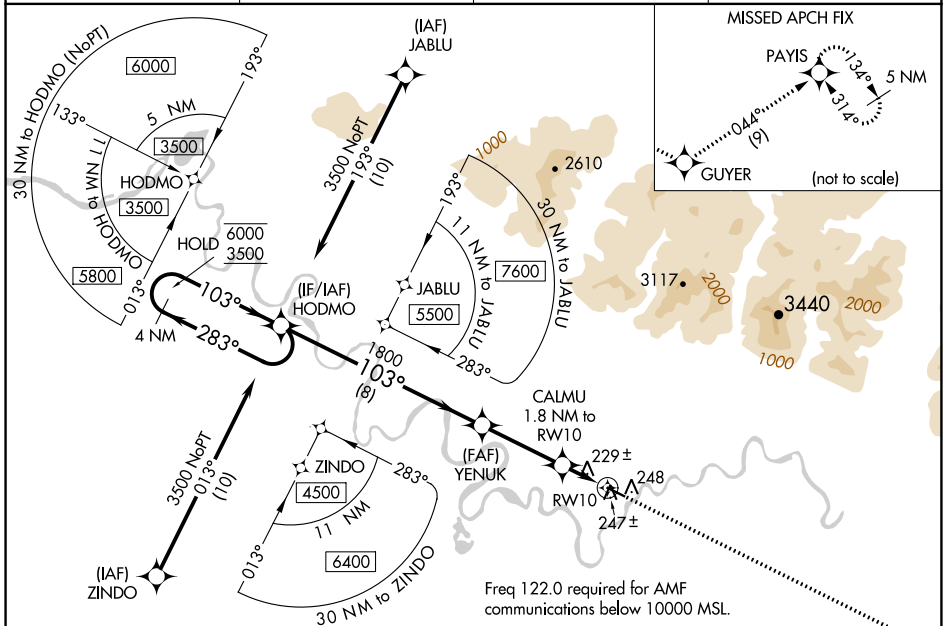


WAAS CH <b>50226</b> <b>W10A</b>	APP CRS <b>103°</b>	Rwy Idg TDZE Apt Elev	<b>4001</b> <b>192</b> <b>205</b>
--	------------------------	-----------------------------	---

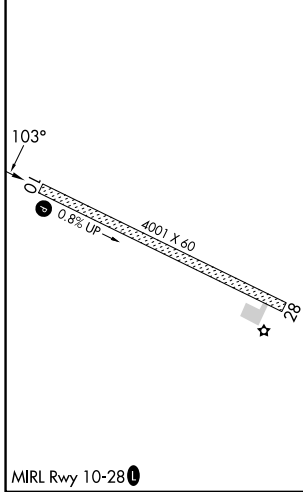
# RNAV (GPS) RWY 10

SHUNGNAC (SHG)(PAGH)

RNP APCH		MISSED APPROACH: Climb to 6000 direct GUYER and on track 044° to PAYIS and hold, continue climb-in-hold to 6000.	
<p>Circling to Rwy 28 NA at night. -35°C</p>			
AWOS-3P <b>118.525</b>	ANCHORAGE CENTER <b>119.2</b>	KOTZEBUE RADIO <b>122.0</b>	CTAF <b>122.7</b>



ELEV 205	TDZE 192
----------	----------



	HODMO 4 NM Holding Pattern		YENUK		6000	GUYER	tr 044°	PAYIS
	6000	3500	1800	780	3.00° TCH 35	1.8 NM to RW10	0.9 NM to RW10	0.9 NM
	8 NM		3.2 NM		0.9 NM		0.9 NM	
CATEGORY	A	B	C	D				
LP MDA	480-1		288 (300-1)		NA			
LNAV MDA	540-1		348 (400-1)		NA			
CIRCLING	600-1 395 (400-1)	660-1 455 (500-1)	660-1½ 455 (500-1½)		NA			

AK, 26 DEC 2024 to 20 FEB 2025

AK, 26 DEC 2024 to 20 FEB 2025