

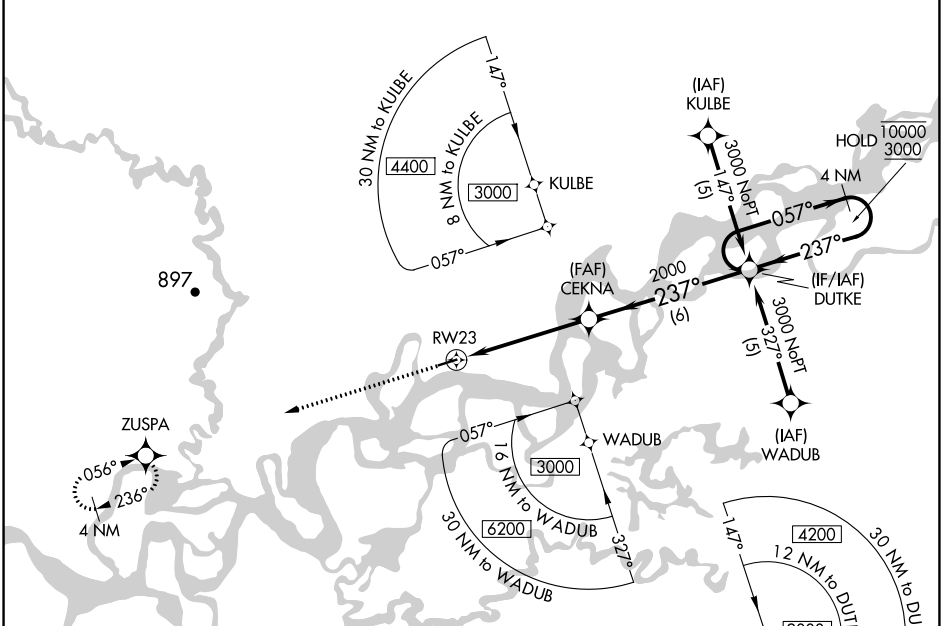
APP CRS 237°	Rwy Idg TDZE Apt Elev	3934 365 365
------------------------	-----------------------------	---

RNAV (GPS) RWY 23

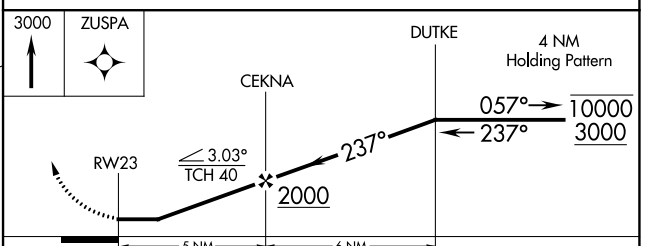
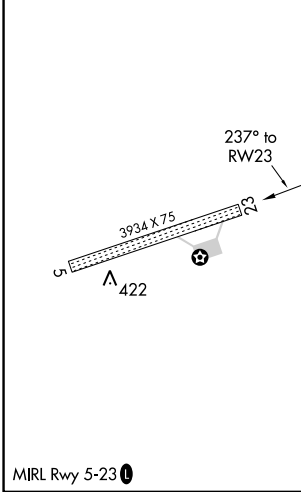
BEAVER (WBQ)(PAWB)

RNP APCH-GPS.
 ▼ Rwy 23 helicopter visibility reduction below 3/4 SM NA.
 ▲ NA Use Fort Yukon altimeter setting.
 MISSED APPROACH: Climb to 3000 direct ZUSPA and hold.

FYU/PFYU AWOS-3P 125.8	FAIRBANKS RADIO 122.05 122.15	CTAF 122.9
----------------------------------	---	----------------------



ELEV 365	TDZE 365
----------	----------



CATEGORY	A	B	C	D
LNAV MDA	940-1	575 (600-1)	940-1½ 575 (600-1½)	NA
CIRCLING	940-1	575 (600-1)	940-1½ 575 (600-1½)	NA

AK, 26 DEC 2024 to 20 FEB 2025

AK, 26 DEC 2024 to 20 FEB 2025