

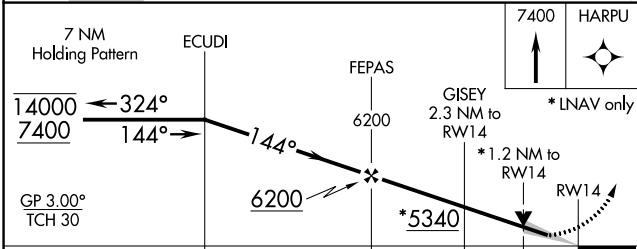
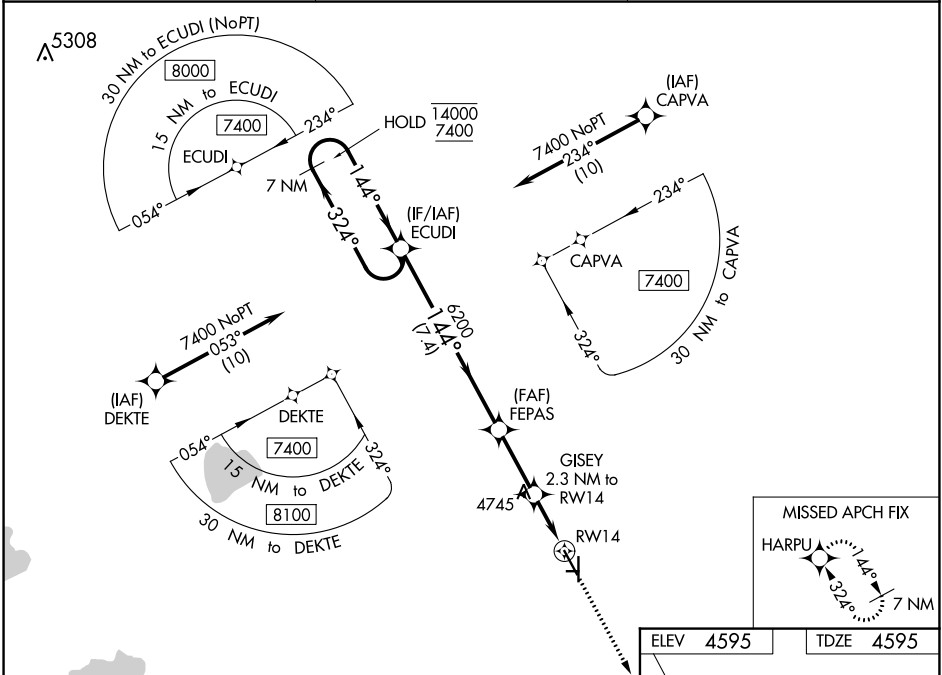
WAAS CH 86330 W14A	APP CRS 144°	Rwy ldg TDZE Apt Elev	5731 4595 4595
--	------------------------	-----------------------------	---

RNAV (GPS) RWY 14

FORT MORGAN MUNI (FMM)

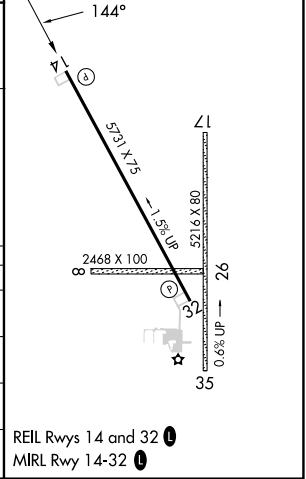
RNP APCH.	MISSED APPROACH: Climb to 7400 direct HARPUS and hold.
<p>Circling Rwy 8, 17, 26, 32, 35 NA at night.</p>	

AWOS-3PT 132.95	DENVER CENTER 118.475 225.4	UNICOM 123.05 (CTAF) 0
---------------------------	---------------------------------------	----------------------------------



ELEV 4595	TDZE 4595
------------------	------------------

CATEGORY	A	B	C	D
LPV DA		4845-1	250 (300-1)	
LNAV/VNAV DA		4845-1	250 (300-1)	
LNAV MDA	5000-1	405 (500-1)	5000-1½	405 (500-1½)
CIRCLING	5040-1 445 (500-1)	5080-1 485 (500-1)	5120-1½ 525 (600-1½)	5340-2½ 745 (800-2½)



SW-1, 26 DEC 2024 to 23 JAN 2025

SW-1, 26 DEC 2024 to 23 JAN 2025