

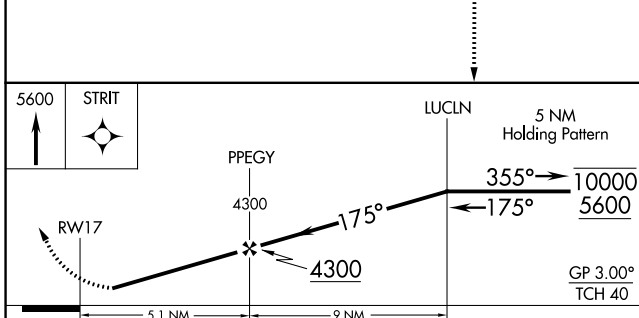
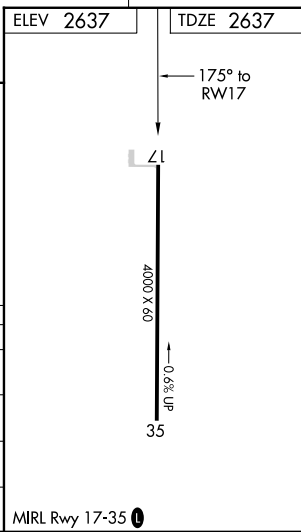
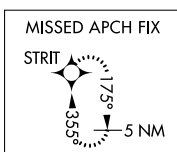
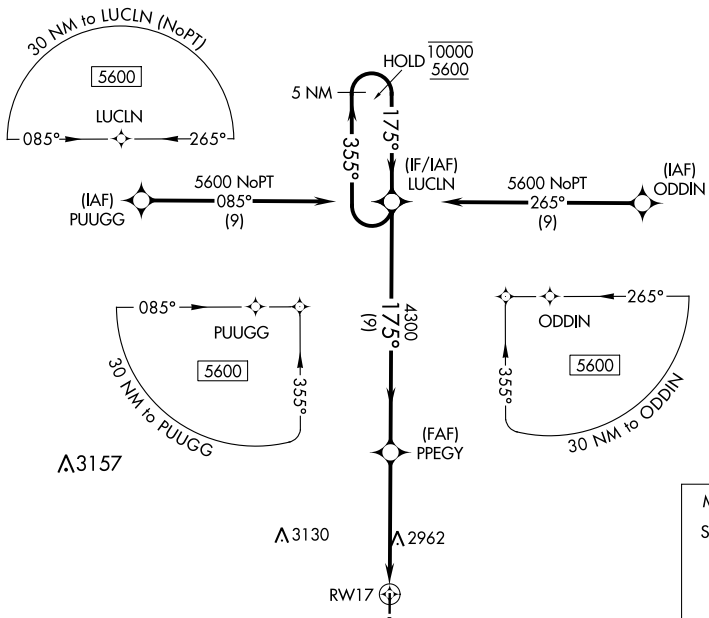
WAAS CH <b>81944</b> <b>W17A</b>	APP CRS <b>175°</b>	Rwy Idg TDZE <b>2637</b> Apt Elev <b>2637</b>	<b>4000</b>
----------------------------------------	------------------------	-----------------------------------------------------	-------------

# RNAV (GPS) RWY 17

GOVE COUNTY (1QK)

RNP APCH-GPS.	MISSED APPROACH: Climb to 5600 direct STRIT and hold.
<p><b>V</b> Rwy 17 helicopter visibility reduction below 3/4 SM NA.</p> <p><b>A</b> Baro-VNAV NA. Use Hill City altimeter setting.</p>	

HLC ASOS <b>118.425</b>	DENVER CENTER <b>132.7 226.675</b>	CTAF <b>122.90</b>
----------------------------	---------------------------------------	-----------------------



CATEGORY	A	B	C	D
LPV DA	3007-1	370 (400-1)		NA
LNAV/VNAV DA	3430-2½	793 (800-2½)		NA
LNAV MDA	3340-1	703 (800-1)		NA
<b>C</b> CIRCLING	3340-1 703 (800-1)	3400-1 763 (800-1)		NA

MIRL Rwy 17-35 **0**

NC-2, 26 DEC 2024 to 23 JAN 2025

NC-2, 26 DEC 2024 to 23 JAN 2025