

LOC/DME I-SYQ 111.75 Chan 54 (Y)	APP CRS 078°	Rwy ldg 10591 TDZE 1118 Apt Elev 1135
--	------------------------	--

ILS or LOC RWY 8

PHOENIX SKY HARBOR INTL (PHX)

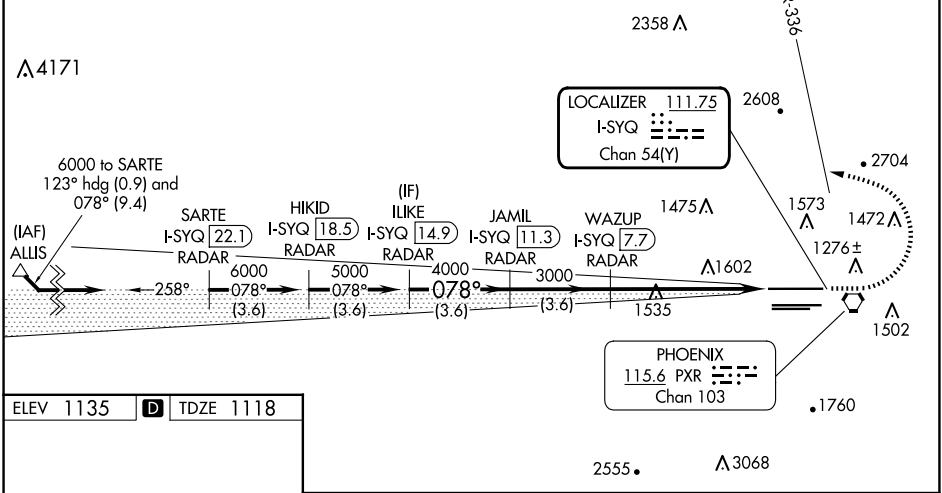
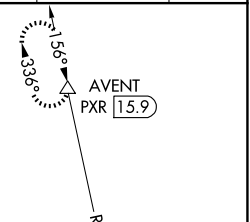
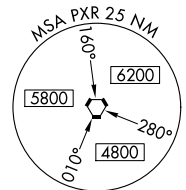
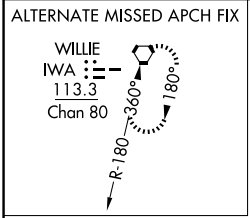
DME or RADAR required.

Autopilot coupled approach NA below 1307 MSL. Inop table does not apply to S-ILS 8. Simultaneous approach authorized. For inop ALS increase S-LOC 8 Cat C/D visibility to 2 SM.

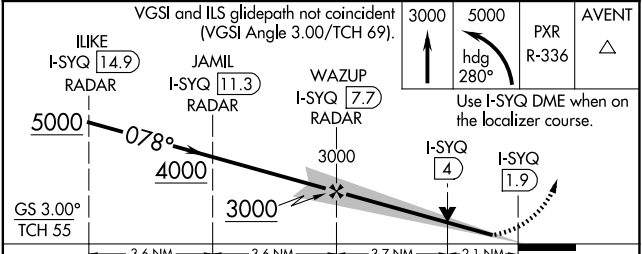
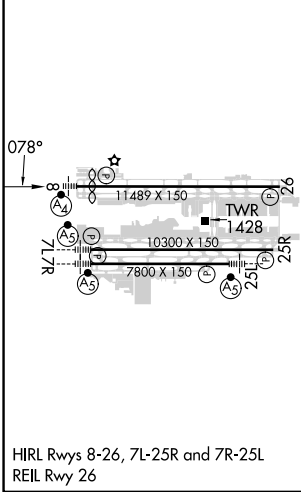
MALSIF

MISSED APPROACH: Climb to 3000 then climbing left turn to 5000 on heading 280° and PXR VORTAC R-336 to AVENT INT/15.9 DME and hold.

D-ATIS 127.575	PHOENIX APP CON 128.65 353.9	PHOENIX TOWER 118.7 278.8 (Rwy 8-26) 120.9 254.3 (Rwy 7L-25R, 7R-25L)	GND CON 119.75 269.2 (N) 132.55 269.2 (S)	CLNC DEL 118.1 269.2	CPDLC
--------------------------	--	---	---	--------------------------------	-------



ELEV 1135	D	TDZE 1118
-----------	----------	-----------



CATEGORY	A	B	C	D
S-ILS 8	1368-3/4		250 (300-3/4)	
S-LOC 8	1860-3/4 742 (800-3/4)	1860-1 742 (800-1)	1860-17/8	742 (800-17/8)
C CIRCLING	1860-1 725 (800-1)	1860-1 1/4 725 (800-1 1/4)	2040-2 3/4 905 (1000-2 3/4)	2560-3 1425 (1500-3)

SW-4, 23 JAN 2025 to 20 FEB 2025

SW-4, 23 JAN 2025 to 20 FEB 2025