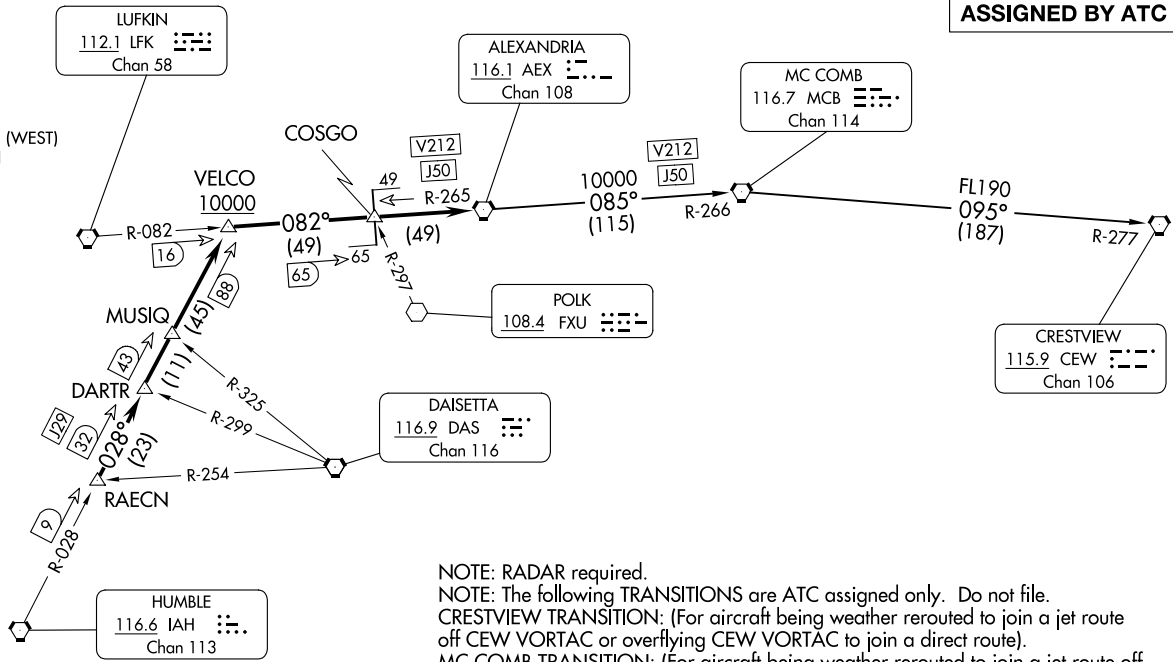


ALEXANDRIA THREE DEPARTURE  
(AEX3.AEX) 070C121

DAVID WAYNE HOOKS MEML (DWH)  
HOUSTON, TEXAS

ATIS  
128.375  
CLNIC DEL  
119.45  
GND CON  
121.8 239.0  
HOOKS TOWER\*  
127.4 354.1 (EAST)  
118.4 (CTAF) 354.1 (WEST)  
HOUSTON DEP CON  
119.7 281.4



**TOP ALTITUDE:  
ASSIGNED BY ATC**

**TAKEOFF MINIMUMS**  
Rwys 17L, 35R: NA - Environmental.  
Waterway 17, 35: NA - Air Traffic.  
Rwys 17R, 35L: Standard.

NOTE: RADAR required.  
NOTE: The following TRANSITIONS are ATC assigned only. Do not file.  
CRESTVIEW TRANSITION: (For aircraft being weather rerouted to join a jet route off CEW VORTAC or overflying CEW VORTAC to join a direct route).  
MC COMB TRANSITION: (For aircraft being weather rerouted to join a jet route off MCB VORTAC or overflying MCB VORTAC to join a direct route).

NOTE: Chart not to scale.

(CONTINUED ON FOLLOWING PAGE)

(AEX3.AEX) 24137  
ALEXANDRIA THREE DEPARTURE

AL-5457 (FAA)  
DAVID WAYNE HOOKS MEML (DWH)  
HOUSTON, TEXAS

# ALEXANDRIA THREE DEPARTURE



## DEPARTURE ROUTE DESCRIPTION

TAKEOFF ALL RUNWAYS: When entering controlled airspace, climb on assigned heading for RADAR vectors to RAECN INT. Maintain ATC assigned altitude. Expect filed altitude 10 minutes after departure, thence. . . .

. . . .on IAH R-028 to VELCO INT, cross VELCO INT at or above 10000, then right turn on LFK R-082 and AEX R-265 to AEX VORTAC.

CRESTVIEW TRANSITION (AEX3.CEW): From over AEX VORTAC on AEX R-085 and MCB R-266 to MCB VORTAC, then on MCB R-095 and CEW R-277 to CEW VORTAC.

MC COMB TRANSITION (AEX3.MCB): From over AEX VORTAC on AEX R-085 and MCB R-266 to MCB VORTAC.

SC-5, 23 JAN 2025 to 20 FEB 2025

SC-5, 23 JAN 2025 to 20 FEB 2025