

VORTAC LFT	APP CRS	Rwy Idg	<b>5210</b>
<b>109.8</b>	<b>343°</b>	TDZE	<b>74</b>
Chan <b>35</b>		Apt Elev	<b>75</b>

# VOR RWY 36

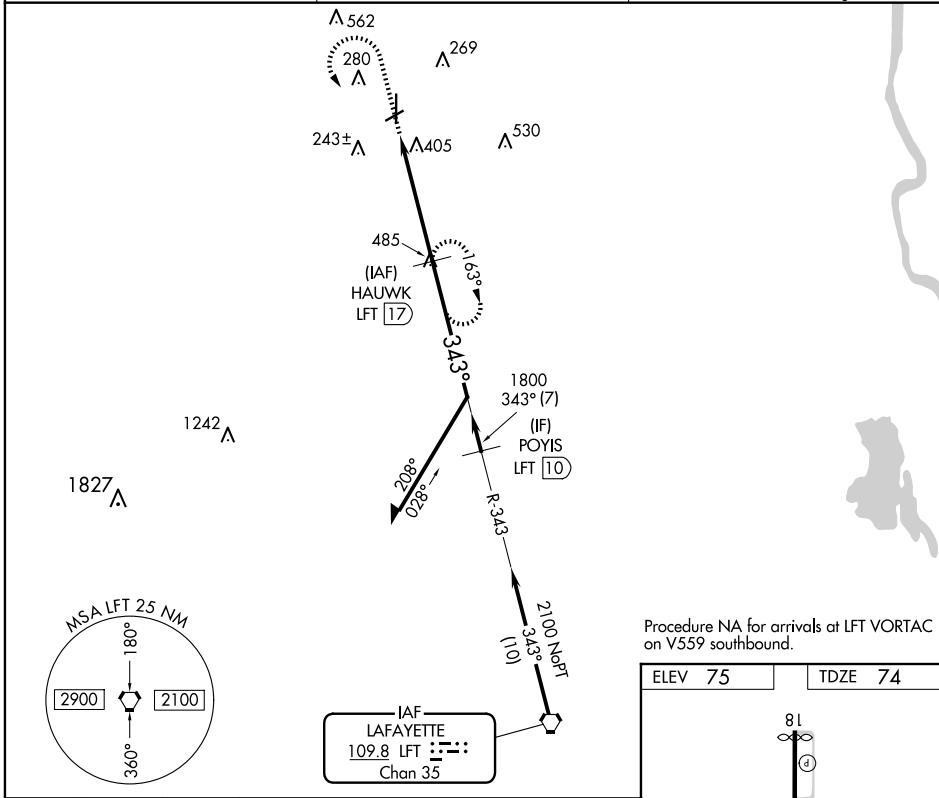
ST LANDRY PARISH (OPL)

DME required.

- ▼ Circling Rwy 6, 24 NA at night.
- ▲ Rwy 36 helicopter visibility reduction below 3/4 SM NA.

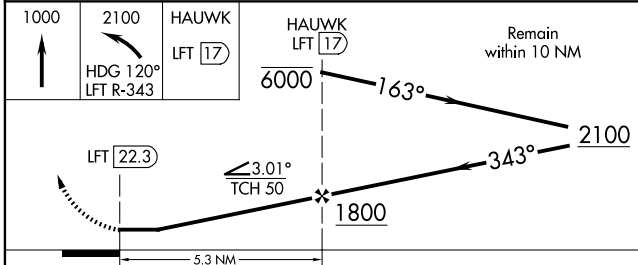
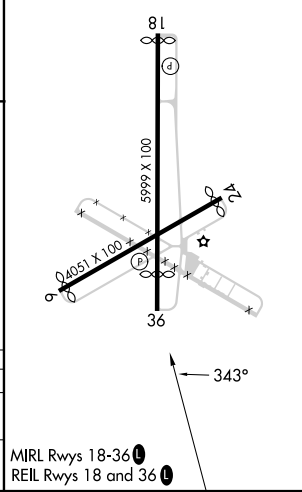
MISSED APPROACH: Climb to 1000 then climbing left turn to 2100 on heading 120° and LFT R-343 to HAUWK/17 DME and hold.

AWOS-3PT <b>118.775</b>	LAFAYETTE APP CON ★ <b>128.7 268.7</b>	UNICOM <b>123.0 (CTAF) 0</b>
----------------------------	---	---------------------------------



Procedure NA for arrivals at LFT VORTAC on V559 southbound.

ELEV 75	TDZE 74
---------	---------



CATEGORY	A	B	C	D
S-36	720-1 646 (700-1)	720-1¼ 646 (700-1¼)	720-1⅞ 646 (700-1⅞)	720-2 646 (700-2)
CIRCLING	780-1 705 (800-1)	780-1¼ 705 (800-1¼)	780-2 705 (800-2)	920-2¾ 845 (900-2¾)

MIRL Rwy 18-36 0  
REIL Rwy 18 and 36 0

SC-4, 23 JAN 2025 to 20 FEB 2025

SC-4, 23 JAN 2025 to 20 FEB 2025