

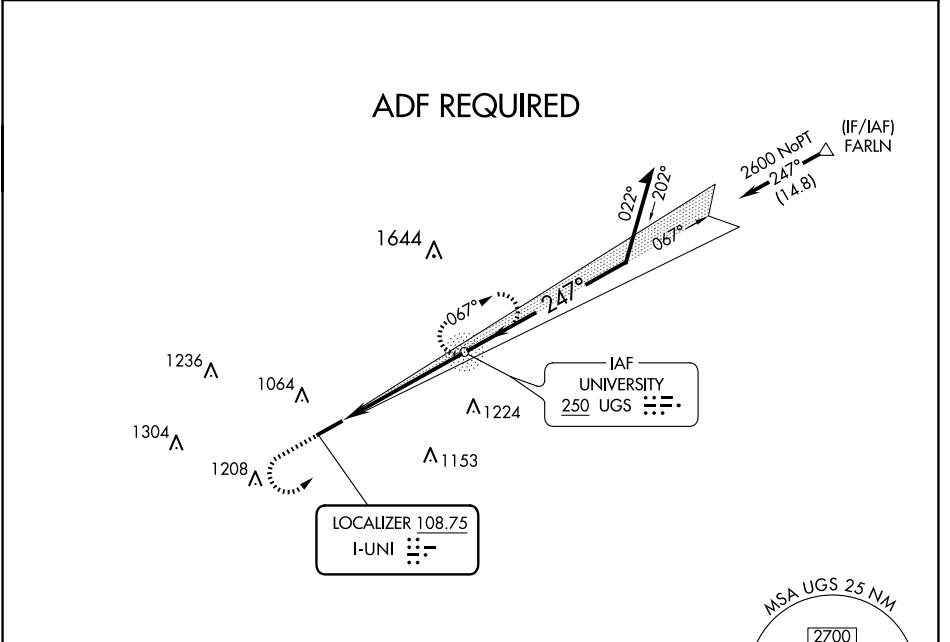
|                            |                        |                             |   |
|----------------------------|------------------------|-----------------------------|---|
| LOC I-UNI<br><b>108.75</b> | APP CRS<br><b>247°</b> | Rwy ldg<br>TDZE<br>Apt Elev | <b>5600</b><br><b>765</b><br><b>766</b> |
|----------------------------|------------------------|-----------------------------|---|

# ILS or LOC RWY 25

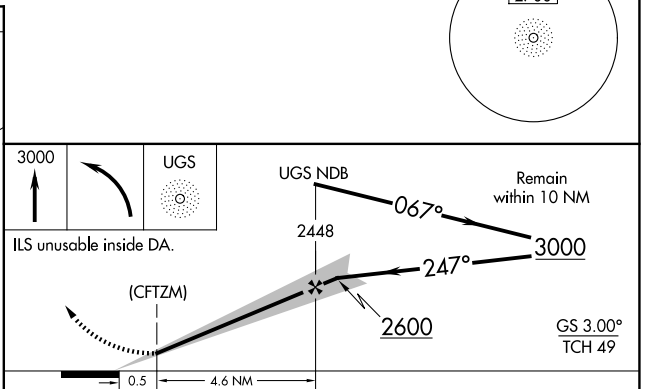
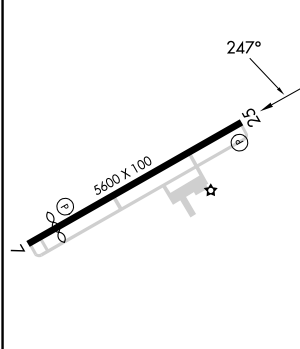
OHIO UNIVERSITY (UNI)

|  |   |
|--|---|
| <p><b>▽</b> ADF required.</p> <p><b>△</b> NA</p> | <p>MISSED APPROACH: Climb to 3000 then left turn direct UGS NDB and hold.</p> |
|--|---|

|                          |   |                           |  |
|--------------------------|---|---------------------------|--|
| AWOS-3<br><b>128.325</b> | HUNTINGTON APP CON<br><b>120.95 270.1</b> | CLNC DEL<br><b>120.95</b> | UNICOM<br><b>123.075</b> (CTAF) <b>0</b> |
|--------------------------|---|---------------------------|--|



|          |          |
|----------|----------|
| ELEV 766 | TDZE 765 |
|----------|----------|



MIRL Rwy 7-25 **0**  
REIL Rwy 7 and 25 **0**

FAF to MAP 4.6 NM

|         |      |      |      |      |      |
|---------|------|------|------|------|------|
| Knots   | 60   | 90   | 120  | 150  | 180  |
| Min:Sec | 4:36 | 3:04 | 2:18 | 1:50 | 1:32 |

| CATEGORY          | A                 | B           | C  | D  |
|-------------------|-------------------|-------------|--|--|
| S-ILS 25          | 974-1 209 (300-1) |             |  |  |
| S-LOC 25          | 1420-1            | 655 (700-1) | 1420-1 $\frac{7}{8}$                               | 655 (700-1 $\frac{7}{8}$ )                         |
| <b>C</b> CIRCLING | 1420-1            | 654 (700-1) | 1420-1 $\frac{7}{8}$<br>654 (700-1 $\frac{7}{8}$ ) | 1480-2 $\frac{1}{4}$<br>714 (800-2 $\frac{1}{4}$ ) |

EC-2, 23 JAN 2025 to 20 FEB 2025

EC-2, 23 JAN 2025 to 20 FEB 2025