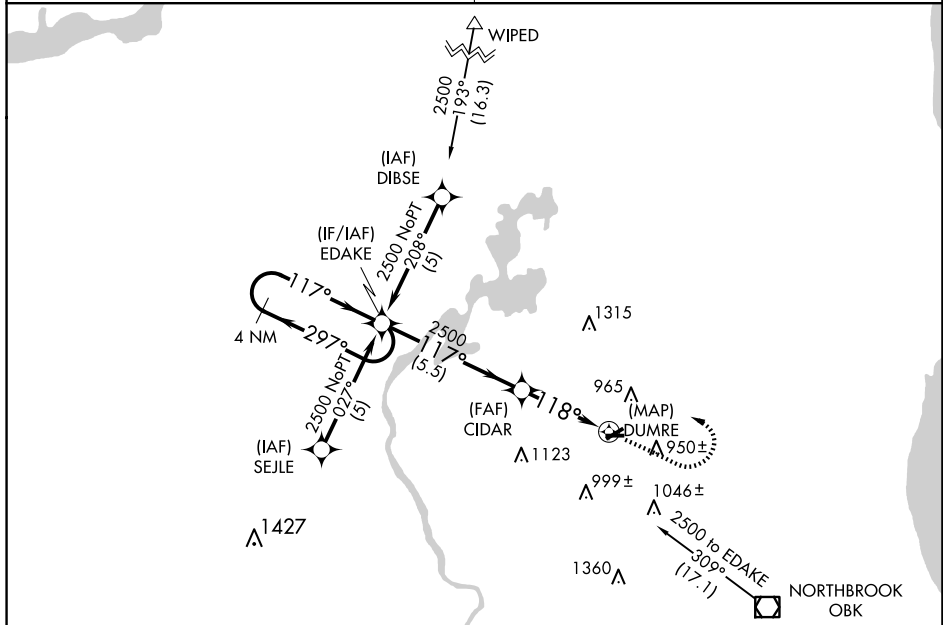


APP CRS	Rwy Idg	N/A
118°	TDZE	N/A
	Apt Elev	788

# RNAV (GPS)-B

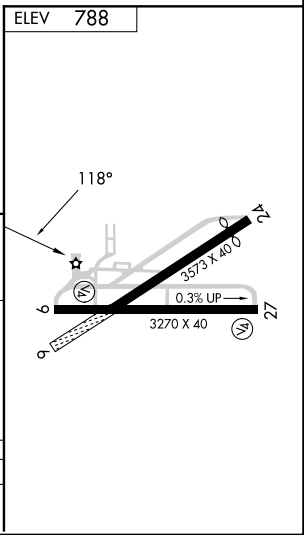
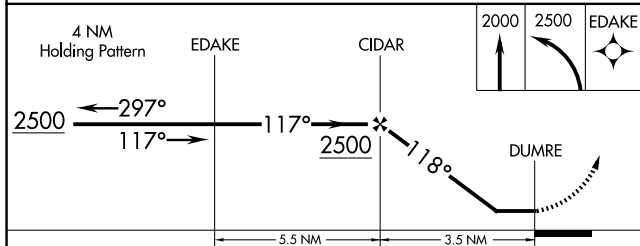
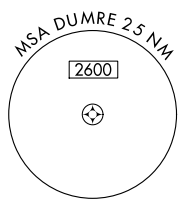
CAMPBELL (C81)

<p><b>▼</b> Use Chicago O'Hare altimeter setting.  <b>▲</b> NA GPS or RNP-0.3 required.          DME/DME RNP-0.3 NA.</p>	<p>MISSED APPROACH: Climb to 2000, then climbing left turn to 2500 direct EDAKE WP and hold.</p>
<p>CHICAGO APP CON  <b>120.55 306.925</b></p>	<p>UNICOM  <b>122.7 (CTAF)</b></p>



EC-3, 23 JAN 2025 to 20 FEB 2025

EC-3, 23 JAN 2025 to 20 FEB 2025



CATEGORY	A	B	C	D
CIRCLING	1400-1	612 (700-1)	1400-1 <sup>3</sup> / <sub>4</sub> 612 (700-1 <sup>3</sup> / <sub>4</sub> )	NA