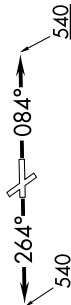


# MMALT SEVEN DEPARTURE (RNAV)

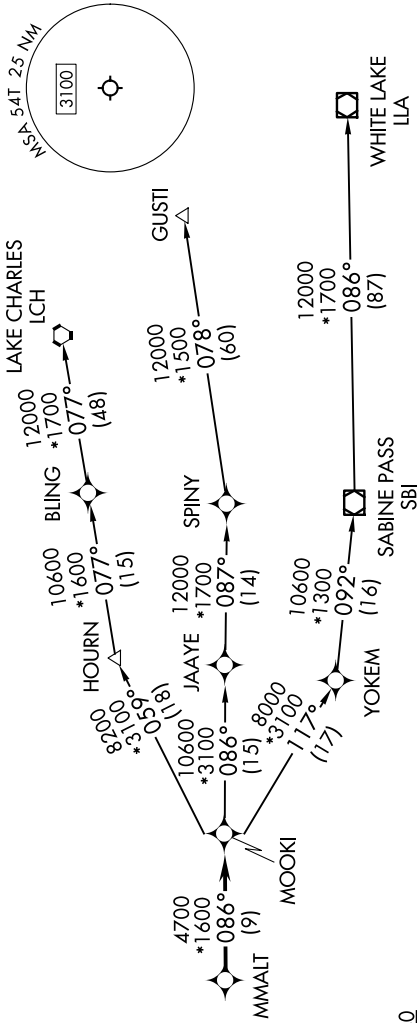
SC-5, 23 JAN 2025 to 20 FEB 2025

RNAV 1 - DME/DME/IRU or GPS.  
RADAR required.

HOUSTON DEP CON  
134.45 284.0  
CTAF  
122.7



**TOP ALTITUDE:  
ASSIGNED BY ATC**



LAKE CHARLES  
LCH

BLING  
12000  
\*1700  
077°  
(48)

HOUN  
8200  
\*1000  
058°  
(11)

JAAYE  
10600  
\*1600  
077°  
(15)

SPINY  
12000  
\*1700  
087°  
(14)

YOKEM  
10600  
\*1300  
092°  
(17)

SABINE PASS  
SBI

WHITE LAKE  
LLA

GUSTI

12000  
\*1500  
078°  
(60)

12000  
\*1700  
086°  
(87)

3100  
54T 25 NM

3100

NOTE: GUSTI and LCH Transitions ATC assigned only for aircraft departing AXH, EFD, GLS, HPY, IWS, LBX, LVJ, SGR, TME, T00, T41 and 54T.

## DEPARTURE ROUTE DESCRIPTION

**TAKEOFF MINIMUMS**  
Rwys 14, 32: NA-Environmental.  
Rwys 8, 26: Standard with minimum climb of 500'/NM to 540.

**TAKEOFF RUNWAY 8:** Climb on heading 084° to 540, for RADAR vectors to MMALT, thence. . . .  
**TAKEOFF RUNWAY 26:** Climb on heading 264° to 540, for RADAR vectors to MMALT, thence. . . .

. . . on track 086° to MOOKI, then on (transition). Maintain ATC assigned altitude.  
Expect filed altitude 10 minutes after departure.

- GUSTI TRANSITION (MMALT7.GUSTI)
- LAKE CHARLES TRANSITION (MMALT7.LCH)
- WHITE LAKE TRANSITION (MMALT7.LLA)

NOTE: Chart not to scale.

# MMALT SEVEN DEPARTURE (RNAV)