

APP CRS 073°	Rwy Idg TDZE Apt Elev	3280 57 57
------------------------	-----------------------------	---------------------------------------

RNAV (GPS) RWY 7

PILOT POINT (PNP)(PAPN)

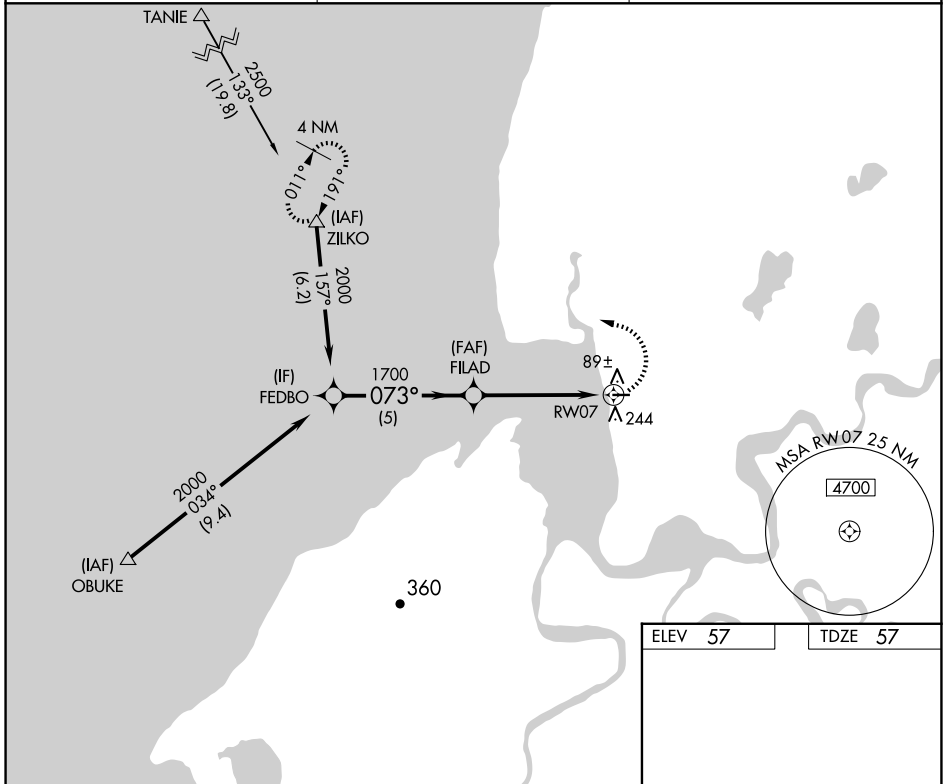
⚠ DME/DME RNP-0.3 NA. When local altimeter setting not received, use King Salmon altimeter setting and increase all MDA 180 feet.

MISSED APPROACH: Climbing left turn to 2500 direct ZILKO and hold.

AWOS-3P
118.375

ANCHORAGE CENTER
132.9 288.3

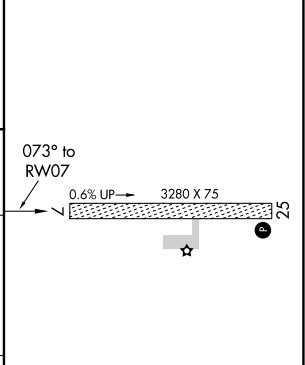
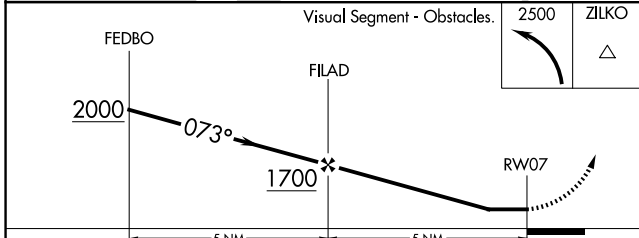
CTAF
122.9



AK, 26 DEC 2024 to 20 FEB 2025

AK, 26 DEC 2024 to 20 FEB 2025

ELEV 57	TDZE 57
---------	---------



CATEGORY	A	B	C	D
LNAV MDA	520-1	463 (500-1)		NA
CIRCLING	600-1	543 (600-1)		NA

MIRL Rwy 7-25 **⓪**