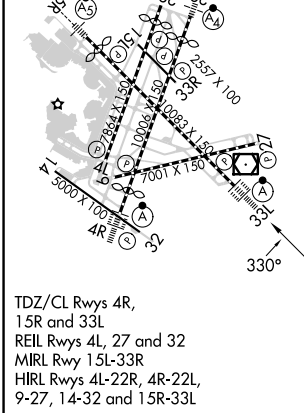
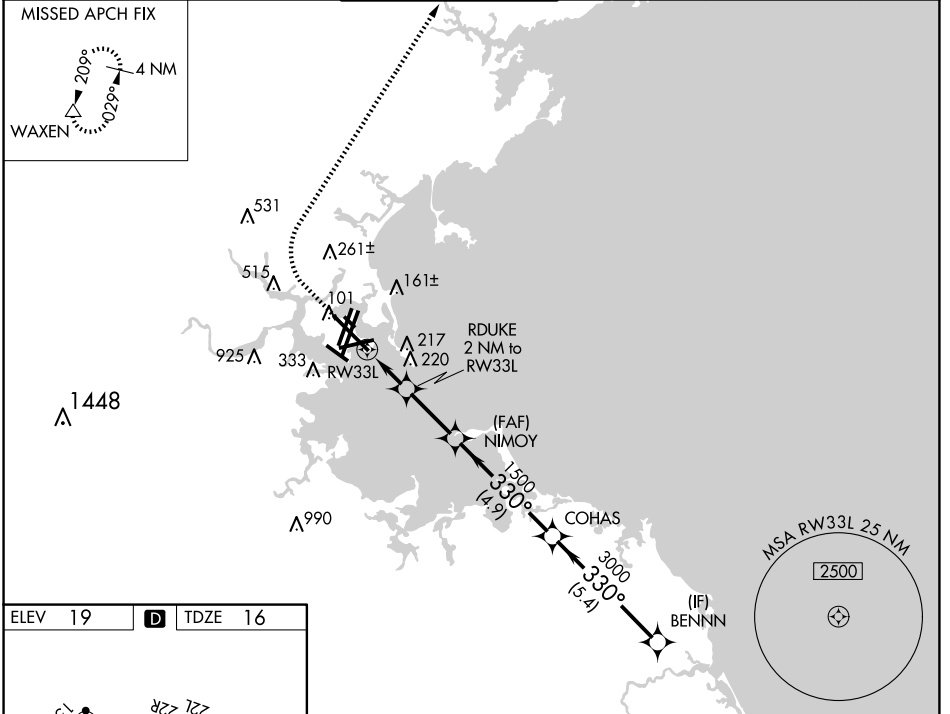


WAAS CH 69525 W33A	APP CRS 330°	Rwy Idg TDZE 16 Apt Elev 19	10083
--	------------------------	---	--------------

RNAV (GPS) Z RWY 33L

GENERAL EDWARD LAWRENCE LOGAN INTL (BOS)

RNP APCH - GPS.		ALSIF-2		MISSED APPROACH: Climb to 600 then climbing right turn to 3000 direct WAXEN and hold.	
▼ For uncompensated Baro-VNAV systems, LNAV/VNAV NA below -14°C or above 54°C.					
D-ATIS 135.0	BOSTON APP CON 120.6 263.1	BOSTON TOWER 128.8 257.8 (WEST) 132.225 257.8 (EAST)	GND CON 121.75 121.9	CLNC DEL 121.65 257.8	CPDLC



ELEV 19	D	TDZE 16		
600	3000	WAXEN	VGSI and RNAV glidepath not coincident (VGSI Angle 3.00/TCH 68).	
		BENNN	GP 3.00° TCH 57	
CATEGORY	A	B	C	D
LPV DA		216/18	200 (200-½)	
LNAV/VNAV DA		324/24	308 (400-½)	
LNAV MDA	440/24	424 (500-½)	440/40	424 (500-¾)

NE-1, 20 FEB 2025 to 20 MAR 2025

NE-1, 20 FEB 2025 to 20 MAR 2025