


LOC I-EXW 108.3	APP CRS 259°	Rwy Idg 7815
		TDZE 548
		Apt Elev 565

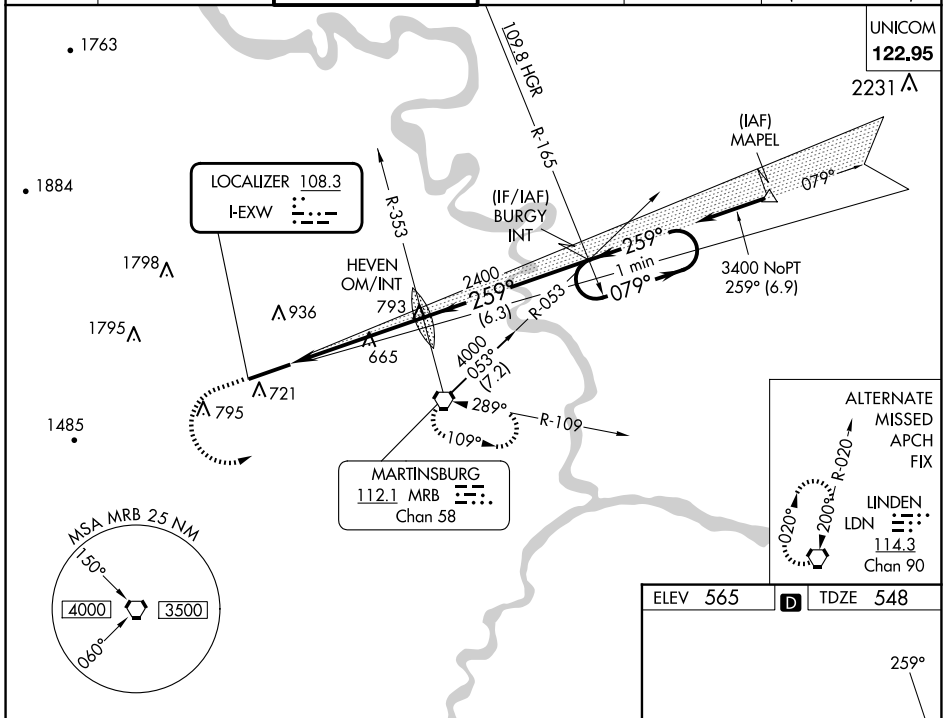
ILS or LOC RWY 26

EASTERN WV RGNL/SHEPHERD FLD (MRB)

⚠ For inoperative MALS/R, increase S-ILS 26 Cat E visibility to ¾ mile and S-LOC 26 Cat E visibility to 1¼ mile. When local altimeter setting not received, use Hagerstown altimeter setting and increase all DA 70 feet and all MDA 80 feet; increase S-LOC 26 Cat C, D, E and Circling Cat C and D visibility ¼ mile. For inoperative MALS/R when using Hagerstown altimeter setting increase S-ILS 26 visibility all Cats to 1 mile and S-LOC 26 Cat E visibility to 1½ mile.

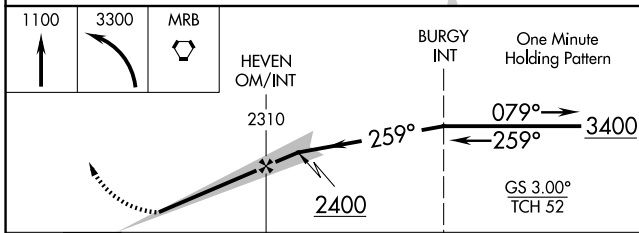
MALS/R

MISSED APPROACH: Climb to 1100 then climbing left turn to 3300 direct MRB VORTAC and hold, continue climb-in-hold to 3300.

ASOS 119.925	POTOMAC APP CON 126.825 239.025	MARTINSBURG TOWER * 124.3 (CTAF) 233.7	GND CON 121.8 257.65	CLNC DEL 121.8 257.65	CLNC DEL 132.075 269.075 (When twr closed)
------------------------	---	--	--------------------------------	---------------------------------	---

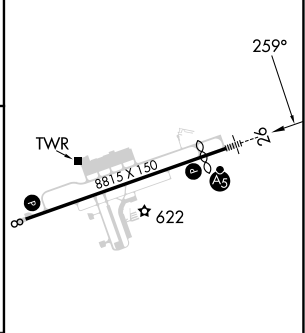


NE-4, 20 FEB 2025 to 20 MAR 2025

NE-4, 20 FEB 2025 to 20 MAR 2025



ELEV 565	D	TDZE 548
----------	----------	----------



CATEGORY	A	B	C	D	E
S-ILS 26	748-½ 200 (200-½)				
S-LOC 26	920-½ 372 (400-½)		920-¾ 372 (400-¾)		
C CIRCLING	1100-1 535 (600-1)	1240-1 675 (700-1)	1240-2 675 (700-2)	1260-2¼ 695 (700-2¼)	2140-3 1575 (1600-3)

REIL Rwy 8	1
HIRL Rwy 8-26	1
FAF to MAP 5.3 NM	
Knots	60 90 120 150 180
Min:Sec	5:18 3:32 2:39 2:07 1:46