

WAAS CH <b>86239</b> <b>W08A</b>	APP CRS <b>079°</b>	Rwy Idg TDZE Apt Elev	<b>7702</b> <b>6204</b> <b>6204</b>
--	------------------------	-----------------------------	---

# RNAV (GPS) RWY 8

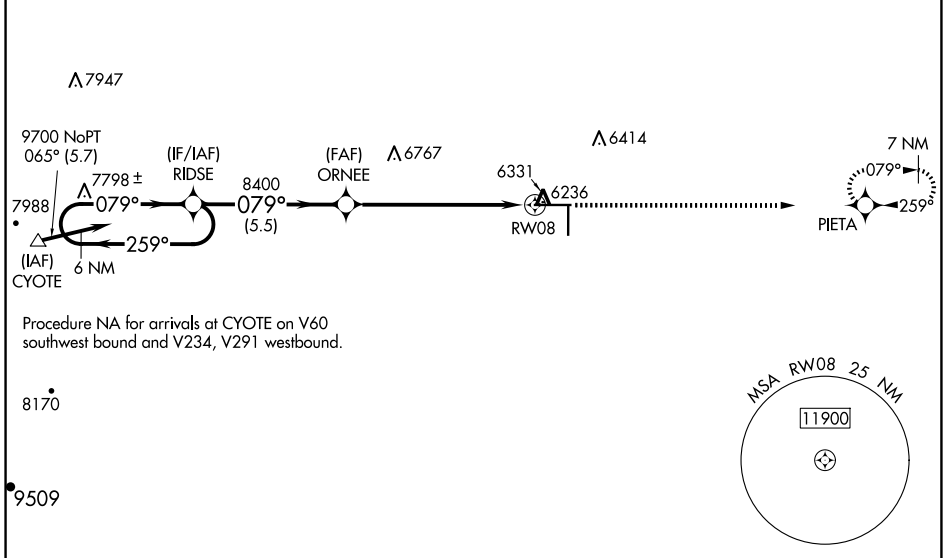
MORIARTY MUNI (ØEØ)

RNP APCH - GPS.

▼ For uncompensated Baro-VNAV systems, LNAV/VNAV NA below -27°C or above 54°C.  
Circling Rwy 17, 35 NA at night.  
Rwy 8 helicopter visibility reduction below ¾ SM NA.

MISSED APPROACH: Climb to 8700 direct PIETA and hold.

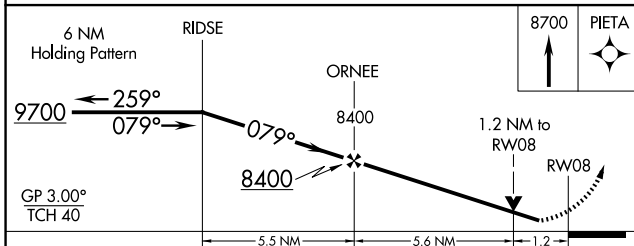
AWOS-3 <b>118.05</b>	ALBUQUERQUE CENTER <b>133.65 284.6</b>	CTAF <b>122.9 0</b>
-------------------------	---	------------------------



SW-1, 20 FEB 2025 to 20 MAR 2025

SW-1, 20 FEB 2025 to 20 MAR 2025

ELEV 6204	TDZE 6204
-----------	-----------



MIRL Rwy 8-26 0

CATEGORY	A	B	C	D
LPV DA	6454-7/8	250 (300-7/8)		NA
LNAV/VNAV DA	6481-7/8	277 (300-7/8)		NA
LNAV MDA	6640-1	436 (500-1)	6640-1¼ 436 (500-1¼)	NA
CIRCLING	6660-1 456 (500-1)	6680-1 476 (500-1)	6780-1½ 576 (600-1½)	NA