

WAAS CH 40022 W25A	APP CRS 258°	Rwy Idg 10300 TDZE 1134 Apt Elev 1135
--	------------------------	--

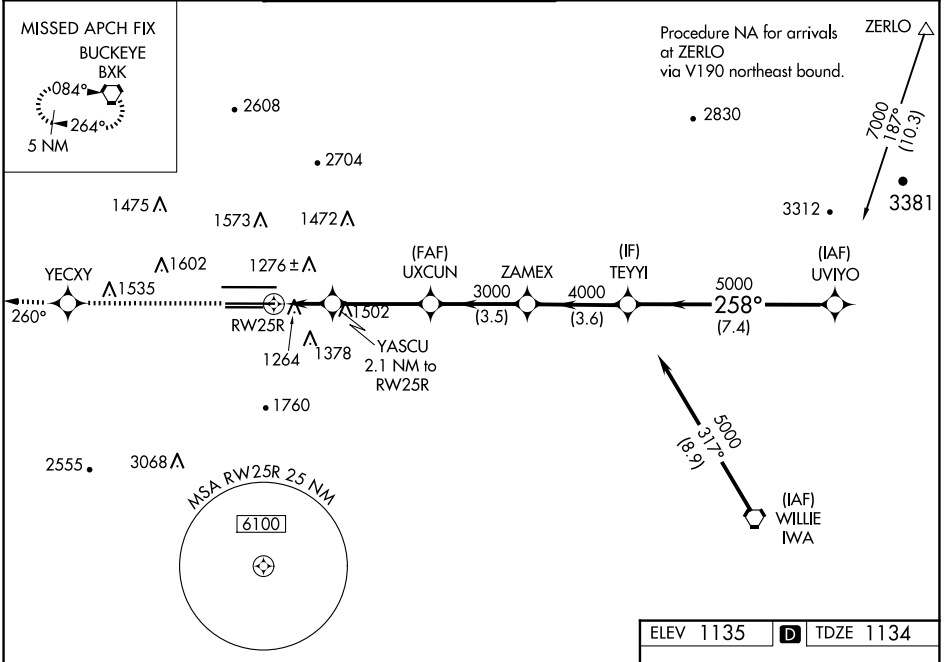
RNAV (GPS) Y RWY 25R

PHOENIX SKY HARBOR INTL (PHX)

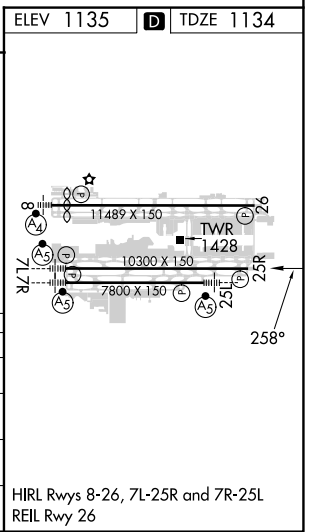
⚠ For uncompensated Baro-VNAV systems, LNAV/VNAV NA below -17°C (2°F) or above 46°C (114°F). DME/DME RNP-0.3 NA. Simultaneous approach authorized with ILS or LOC Rwy 26. Use of FD or AP providing RNAV track guidance required during simultaneous operations. LNAV procedure NA during simultaneous operations.

⚠ MISSED APPROACH: Climb to 5000 direct YECXY and via 260° track to BXX VORTAC and hold.

D-ATIS 127.575	PHOENIX APP CON 128.65 353.9	PHOENIX TOWER 118.7 278.8 (Rwy 8-26) 120.9 254.3 (Rwy 7L-25R, 7R-25L)	GND CON 119.75 269.2 (N) 132.55 269.2 (S)	CLNC DEL 118.1 269.2	CPDLC
--------------------------	--	---	---	--------------------------------	-------



5000	YECXY	fr 260°	BXX	VGSI and RNAV glidepath not coincident (VGSI Angle 3.00/TCH 70).			
*LNAV only.		YASCU 2.1 NM to RWY25R	UXCUN	ZAMEX	TEYYI	UVIYO	
*1.4 NM to RWY25R							
1.4 NM	0.7 NM	3.5 NM	3.5 NM	3.6 NM	7.4 NM		
CATEGORY	A	B	C	D			
LPV DA	1439-1		305 (400-1)				
LNAV/VNAV DA	1580-1½		446 (500-1½)				
LNAV MDA	1640-1	506 (600-1)	1640-1½	506 (600-1½)			
C CIRCLING	1740-1	605 (700-1)	2040-2¾ 905 (1000-2¾)	2560-3 1425 (1500-3)			



SW-4, 20 FEB 2025 to 20 MAR 2025

SW-4, 20 FEB 2025 to 20 MAR 2025