

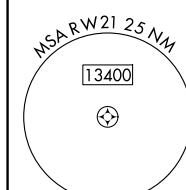
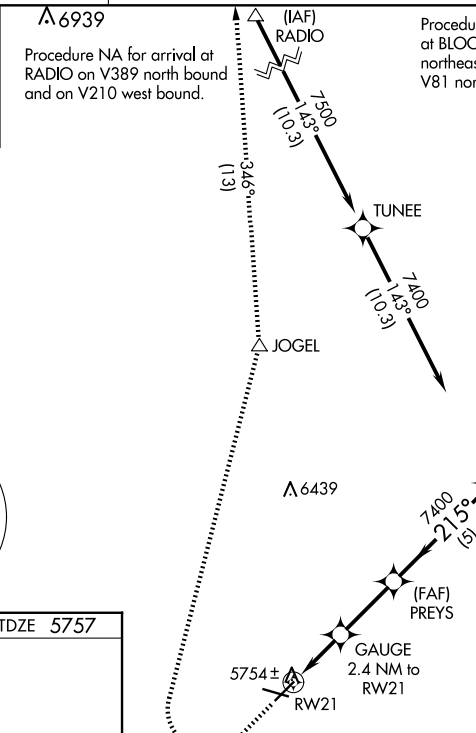
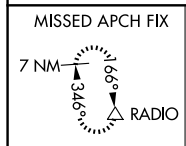
APP CRS <b>215°</b>	Rwy Idg	<b>5500</b>
	TDZE	<b>5757</b>
	Apt Elev	<b>5762</b>

**RNAV (GPS) RWY 21**  
PERRY STOKES (TAD)

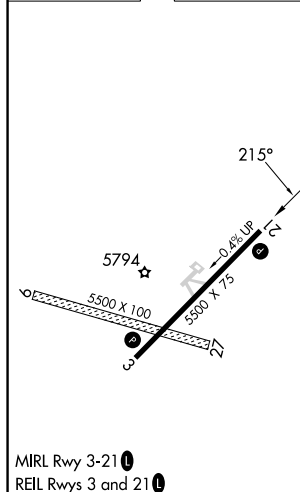
⚠ Circling NA to Rwys 9 and 27. DME/DME RNP-0.3 NA. When local altimeter setting not received, use Pueblo altimeter setting and increase all MDA 300 feet: increase LNAV Cat C/D visibility 5/8 SM, Circling Cat B/D visibility 1/4 SM and Circling Cat C visibility 1 SM. VDP NA when using Pueblo altimeter setting.

MISSED APPROACH: Climb to 6200 then climbing right turn to 10000 direct JOGEL and on track 346° to RADIO and hold.

ASOS <b>119.025</b>	DENVER CENTER <b>128.375 379.95</b>	UNICOM <b>122.8 (CTAF)</b>
------------------------	--	-------------------------------



ELEV 5762	TDZE 5757
-----------	-----------



SW-1, 20 FEB 2025 to 20 MAR 2025

SW-1, 20 FEB 2025 to 20 MAR 2025