

APP CRS **242°**  
 Rwy Idg **7312**  
 TDZE **6472**  
 Apt Elev **6472**

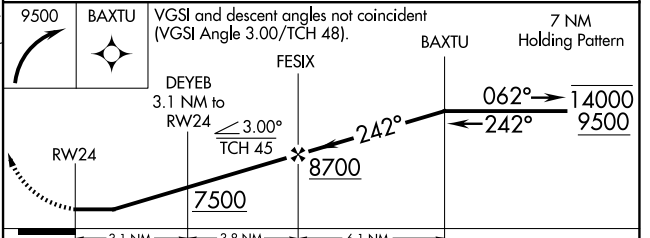
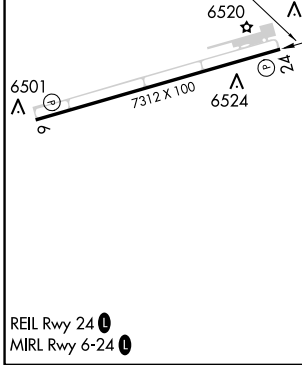
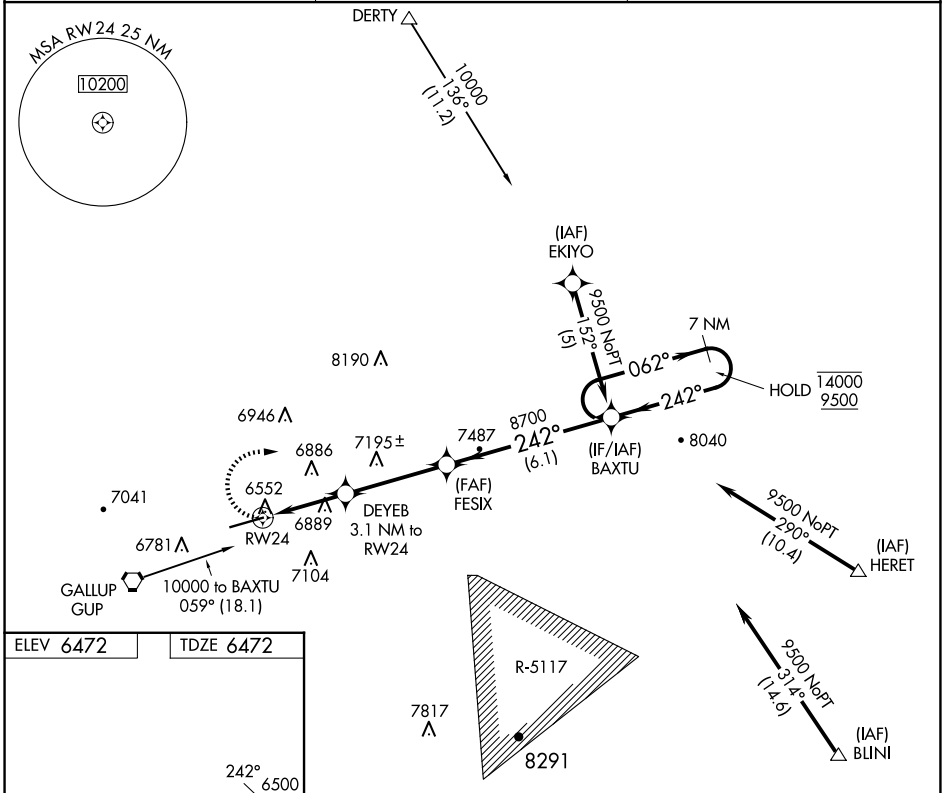
# RNAV (GPS) RWY 24

GALLUP MUNI (GUP)

RNP APCH. MISSED APPROACH: Climbing right turn to 9500 direct BAXTU and hold.

Rwy 24 helicopter visibility reduction below 3/4 SM NA.

ASOS **118.375**      ALBUQUERQUE CENTER **124.325 288.25**      UNICOM **122.95 (CTAF) 0**



CATEGORY	A	B	C	D
LNNAV MDA	7360-1¼	888 (900-1¼)	7360-2½	888 (900-2½)
CIRCLING	7360-1¼	888 (900-1¼)	7460-3 988 (1000-3)	7720-3 1248 (1300-3)

SW-1, 20 FEB 2025 to 20 MAR 2025

SW-1, 20 FEB 2025 to 20 MAR 2025