

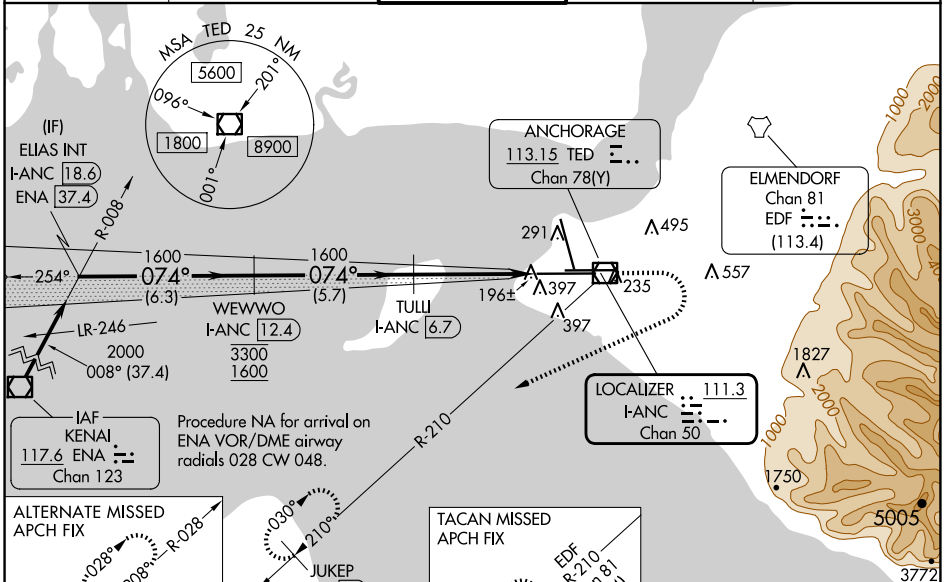
LOC/DME I-ANC 111.3 Chan 50	APP CRS 074°	Rwy ldg 12400 TDZE 132 Apt Elev 151
---	------------------------	--

ILS RWY 7R (CAT II & III)

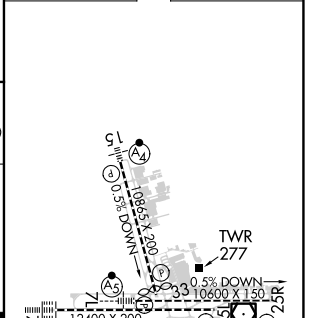
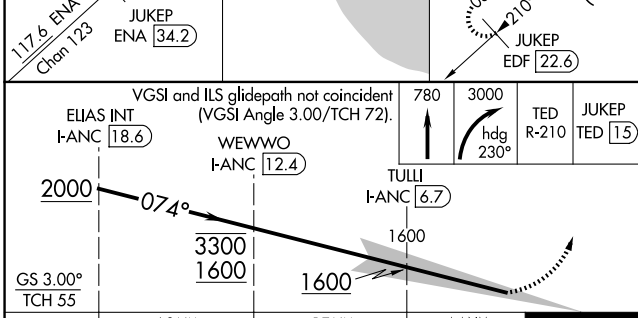
TED STEVENS ANCHORAGE INTL (ANC) (PANC)

DME required. ▼ CAT II: RVR 1000 authorized with specific OPSPEC, MSPEC, or LOA approval and use of autoland or HUD to touchdown. Rwy 7L threshold 6140 feet east of Rwy 7R threshold.	ALSF-2 A	MISSED APPROACH: Climb to 780 then climbing right turn to 3000 on heading 230° and on TED VOR/DME R-210 to JUKEP/TED 15 DME and hold. (TACAN aircraft climb to 780 then climbing right turn to 3000 on heading 230° and EDF TACAN R-210 to JUKEP/EDF 22.6 DME and hold).
---	-------------	--

D-ATIS 135.5	ANCHORAGE APP CON 118.6 290.5	ANCHORAGE TOWER 118.3 257.8	GND CON 121.9 338.25	CLNC DEL 119.4 323.1
------------------------	---	---------------------------------------	--------------------------------	--------------------------------



ELEV 151	D	TDZE 132
----------	---	----------



CATEGORY	A	B	C	D
S-ILS 7R	CAT II RA 115/12 100 DA 232			
S-ILS 7R	CAT III RVR 06			

CATEGORY II & III ILS - SPECIAL AIRCREW & AIRCRAFT CERTIFICATION REQUIRED

REIL Rwy 33
TDZ/CL Rwy 7L and 7R
HIRL all Rwy

AK, 20 FEB 2025 to 17 APR 2025

AK, 20 FEB 2025 to 17 APR 2025