

APP CRS	Rwy Idg	4500
234°	TDZE	24
	Apt Elev	29

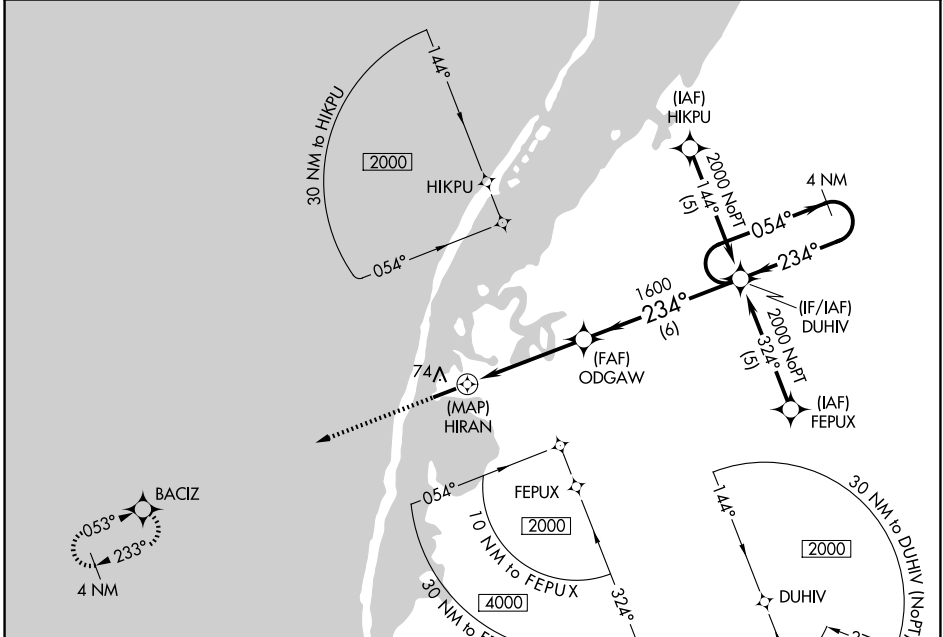
RNAV (GPS) RWY 23

POINT LAY LRRS (PIZ)(PPIZ)

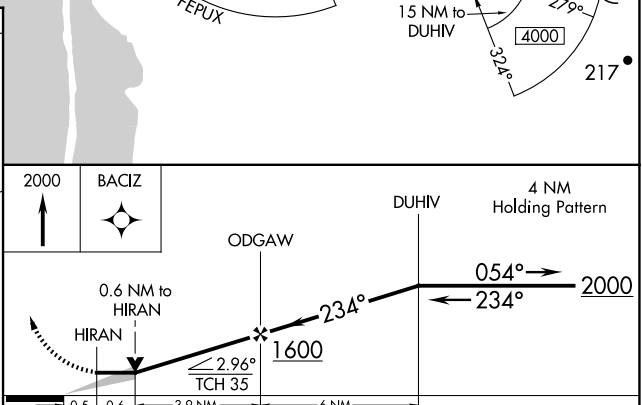
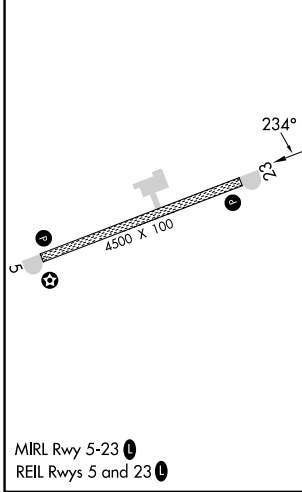
33 -33°C
 DME/DME RNP- 0.3 NA. When local altimeter setting not received, procedure NA.

MISSED APPROACH: Climb to 2000 direct BACIZ and hold.

AWOS-3P 135.65	ANCHORAGE CENTER 119.65 363.25	BARROW RADIO 122.4	CTAF 122.8
--------------------------	--	------------------------------	----------------------



ELEV 29	TDZE 24
---------	---------



CATEGORY	A	B	C	D
LNAV MDA	400-1 376 (400-1)			NA
CIRCLING	440-1 411 (500-1)	480-1 451 (500-1)	480-1½ 451 (500-1½)	NA

AK, 20 FEB 2025 to 17 APR 2025

AK, 20 FEB 2025 to 17 APR 2025