

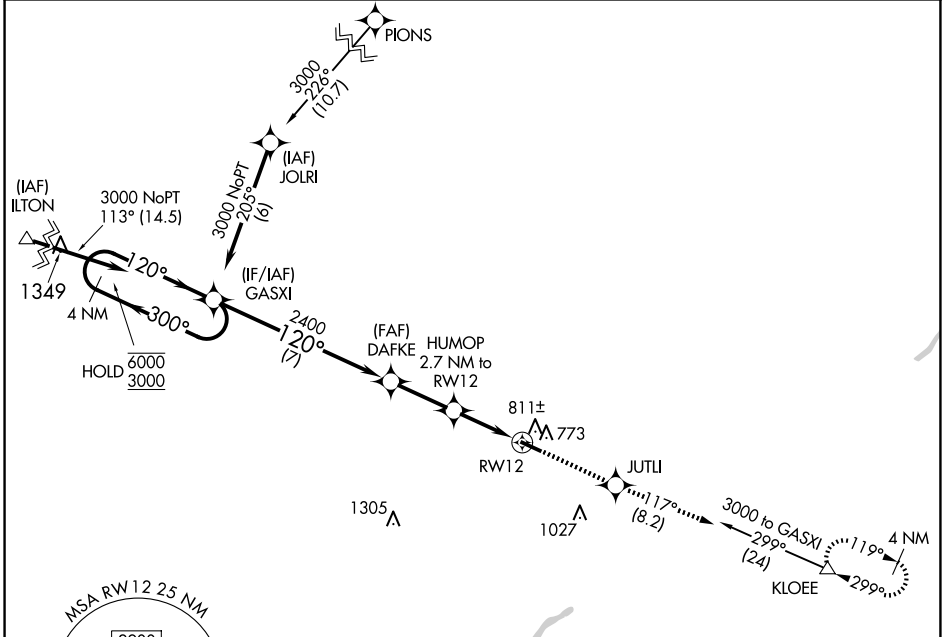
APP CRS	Rwy Idg	4199
120°	TDZE	707
	Apt Elev	707

RNAV (GPS) RWY 12

DEFIANCE MEML (DFI)

RNP APCH.	MISSED APPROACH: Climb to 3000 direct JUTLI and on track 117° to KLOEE and hold.
<p>▼ Circling Rwy 30 NA at night. Rwy 12 helicopter visibility reduction below 3/4 SM NA.</p> <p>▲</p>	

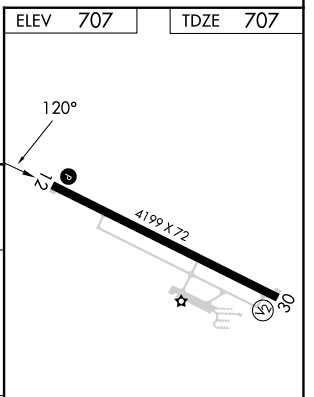
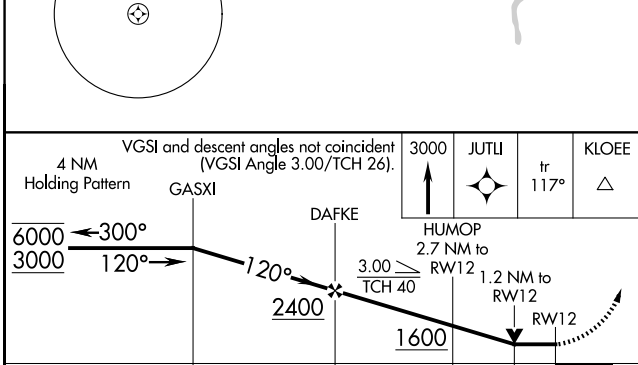
ASOS 121.425	TOLEDO APP CON 134.35 307.0	UNICOM 122.7 (CTAF) ①
------------------------	---------------------------------------	---------------------------------



EC-2, 20 FEB 2025 to 20 MAR 2025

EC-2, 20 FEB 2025 to 20 MAR 2025

ELEV 707	TDZE 707
----------	----------



CATEGORY	A	B	C	D
LNVA MDA	1100-1	393 (400-1)	1100-1 1/8	393 (400-1 1/8)
ⓐ CIRCLING	1140-1 433 (500-1)	1160-1 453 (500-1)	1380-2 673 (700-2)	1380-2 1/4 673 (700-2 1/4)

REIL Rwy 12 and 30 ①
MIRL Rwy 12-30 ①