

RADAR and DME required.

TOP ALTITUDE:
ASSIGNED BY ATC



TAKEOFF MINIMUMS
Rwys 16, 34: Standard.



AWOS-3PT
120.775
CTAF
122.9
HOUSTON DEP CON
119.7 281.4

FORT STOCKTON
116.9 FST
Chan 116

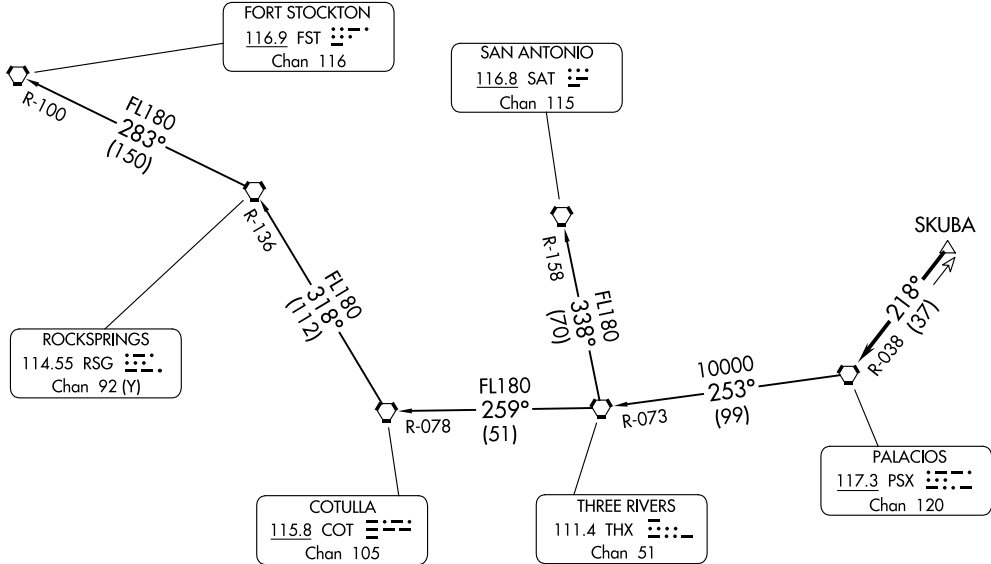
SAN ANTONIO
116.8 SAT
Chan 115

ROCKSPRINGS
114.55 RSG
Chan 92 (Y)

COTULLA
115.8 COT
Chan 105

THREE RIVERS
111.4 THX
Chan 51

PALACIOS
117.3 PSX
Chan 120



PALACIOS THREE DEPARTURE
(PSX3, PSX) 03NOV22

LIBERTY, TEXAS
LIBERTY MUNI (T78)

(PSX3, PSX) 24137
PALACIOS THREE DEPARTURE

AL-5196 (FAA)

LIBERTY, TEXAS
LIBERTY MUNI (T78)

(CONTINUED ON FOLLOWING PAGE)

NOTE: Chart not to scale.

PALACIOS THREE DEPARTURE



DEPARTURE ROUTE DESCRIPTION

TAKEOFF RUNWAY 16: Climb on heading 161° to 1700 before turning, when entering controlled airspace, climb on assigned heading for RADAR vectors to SKUBA. Maintain ATC assigned altitude. Expect filed altitude 10 minutes after departure, thence. . . .

TAKEOFF RUNWAY 34: Climb on heading 341° to 1000 before turning, when entering controlled airspace, climb on assigned heading for RADAR vectors to SKUBA. Maintain ATC assigned altitude. Expect filed altitude 10 minutes after departure, thence. . . .

. . . .on PSX R-038 to PSX VORTAC.

FORT STOCKTON TRANSITION (PSX3.FST): From over PSX VORTAC on PSX R-253 and THX R-073 to THX VORTAC, then on THX R-259 and COT R-078 to COT VORTAC, then on COT R-318 and RSG R-136 to RSG VORTAC, then on RSG R-283 and FST R-100 to FST VORTAC.

SAN ANTONIO TRANSITION (PSX3.SAT): From over PSX VORTAC on PSX R-253 and THX R-073 to THX VORTAC, then on SAT R-158 to SAT VORTAC.

SC-5, 20 FEB 2025 to 20 MAR 2025

SC-5, 20 FEB 2025 to 20 MAR 2025