

APP CRS	Rwy Idg	4300
289°	TDZE	737
	Apt Elev	737

RNAV (GPS) RWY 29

OWOSSO COMMUNITY (RNP)

RNP APCH:

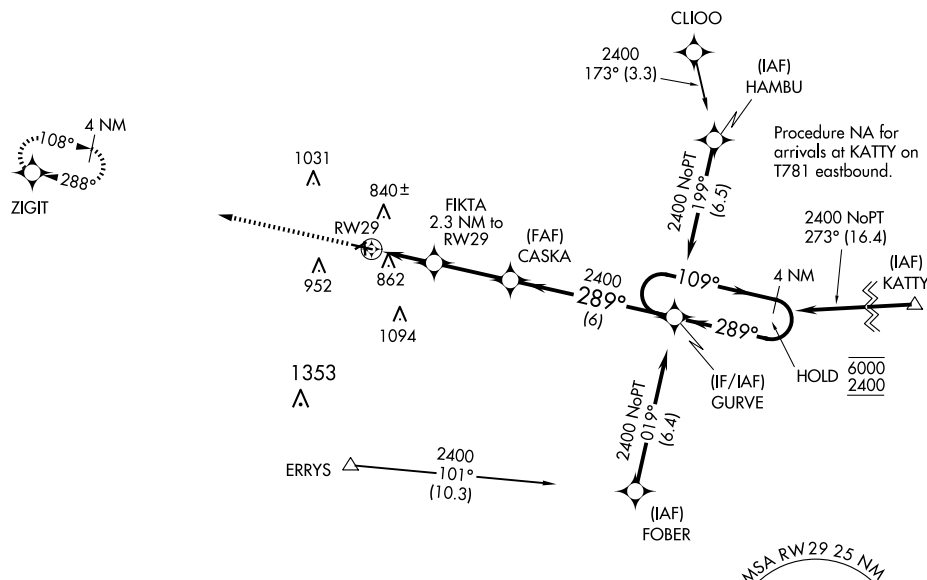
- ▼ Circling NA to Rwy's 6, 18, 24 and 36. Procedure NA at night. Rwy 29 helicopter visibility reduction below 3/4 SM NA.
- ▲ MISSED APPROACH: Climb to 2600 direct ZIGIT and hold.

MISSED APPROACH: Climb to 2600 direct ZIGIT and hold.

AWOS-3
118.025

GREAT LAKES APP CON *
128.55 257.9

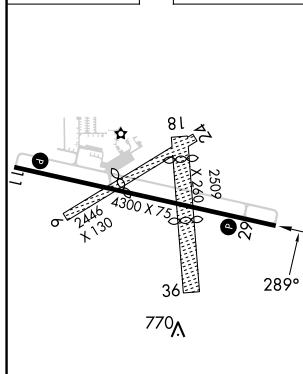
UNICOM
123.0 (CTAF) 0



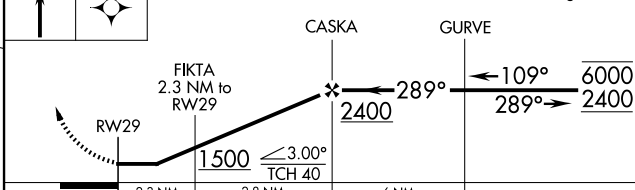
EC-1, 20 FEB 2025 to 20 MAR 2025

EC-1, 20 FEB 2025 to 20 MAR 2025

ELEV 737	TDZE 737
----------	----------



2600 ZIGIT VGSi and descent angles not coincident (VGSi Angle 4.00/TCH 20). 4 NM Holding Pattern



CATEGORY	A	B	C	D
LNAV MDA	1120-1	383 (400-1)	1120-1 1/8 383 (400-1 1/8)	NA
<input checked="" type="checkbox"/> CIRCLING	1220-1 483 (500-1)	1260-1 523 (600-1)	1400-1 3/4 663 (700-1 3/4)	NA

REIL Rwy's 11 and 29 0
MIRL Rwy 11-29 0