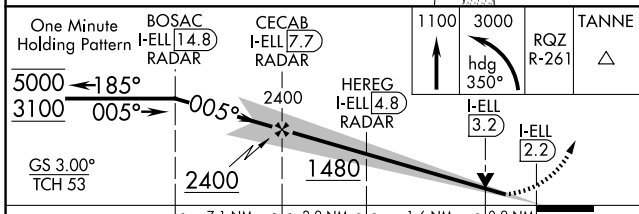
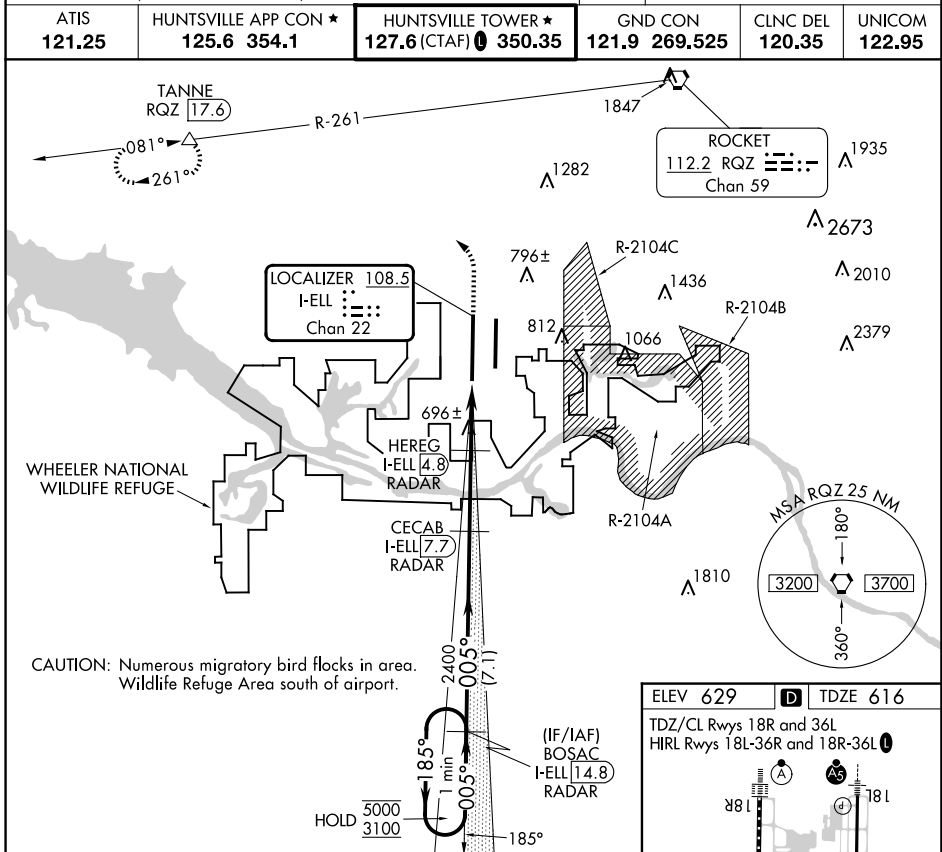


LOC/DME I-ELL 108.5 Chan 22	APP CRS 005°	Rwy Idg 12600 TDZE 616 Apt Elev 629
---	------------------------	--

ILS or LOC RWY 36L

HUNTSVILLE INTL-CARL T JONES FLD (HSV)

DME required. RADAR required for procedure entry.			MALSR	MISSED APPROACH: Climb to 1100 then climbing left turn to 3000 on heading 350° and RQZ R-261 to TANNE/RQZ 17.6 DME and hold.	
ATIS 121.25	HUNTSVILLE APP CON * 125.6 354.1	HUNTSVILLE TOWER * 127.6 (CTAF) 0 350.35	GND CON 121.9 269.525	CLNC DEL 120.35	UNICOM 122.95



ELEV 629	TDZE 616
TDZ/CL Rws 18R and 36L HIRL Rws 18L-36R and 18R-36L	
FAF to MAP 5.5 NM	
Knots	60 90 120 150 180
Min:Sec	6:42 4:28 3:21 2:41 2:14

CATEGORY	A	B	C	D	E
S-ILS 36L	816/18 200 (200-½)				
S-LOC 36L	960/24	344 (400-½)	960/30	344 (400-¾)	
CIRCLING	1160-1	531 (600-1)	1160-1½	1240-2	1260-2¼
			531 (600-½)	611 (700-2)	631 (700-2¼)

SE-4, 20 FEB 2025 to 20 MAR 2025

SE-4, 20 FEB 2025 to 20 MAR 2025