

ALEXANDRIA THREE DEPARTURE
 (AEX3.AEX) 070CT121

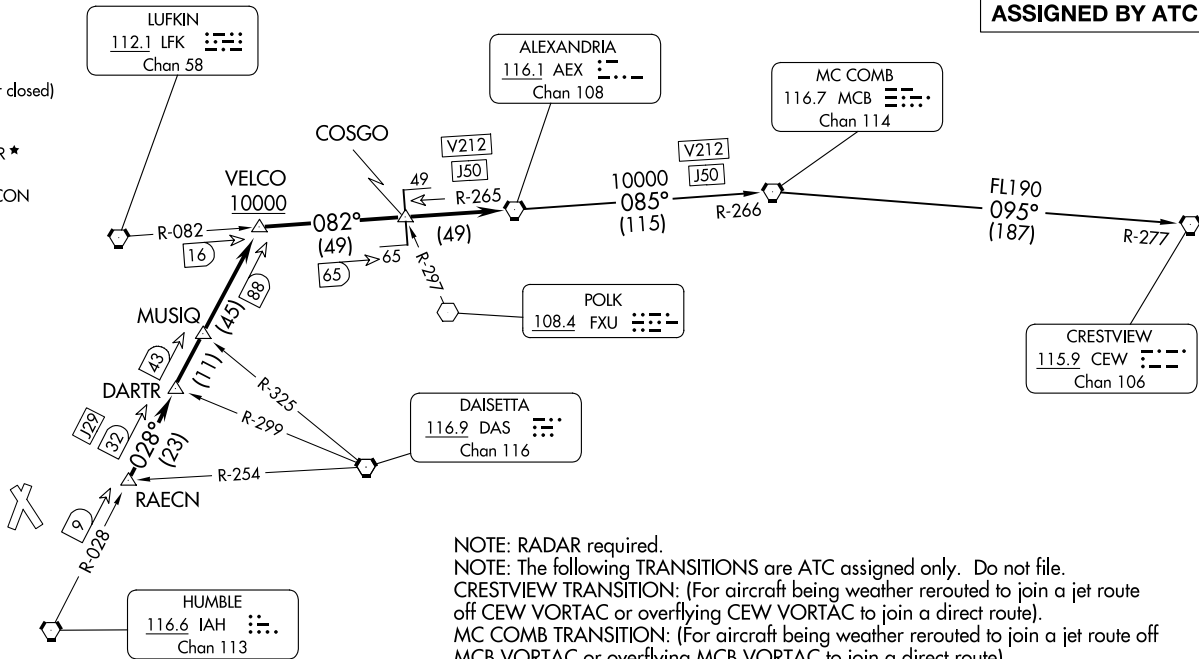
ALEXANDRIA THREE DEPARTURE
 (AEX3.AEX) 24137

AL-5573 (FAA)

CONROE/NORTH HOUSTON RGNL (CXO)
 HOUSTON, TEXAS

**TOP ALTITUDE:
 ASSIGNED BY ATC**

ATIS
 118.325
 CLNC DEL
 120.45
 CLNC DEL
 119.55 (when twr closed)
 GND CON
 120.45
 CONROE TOWER *
 124.125 (CTAF)
 HOUSTON DEP CON
 119.7 281.4



TAKEOFF MINIMUMS
 Rws 1, 14, 19, 32: Standard.

NOTE: RADAR required.
 NOTE: The following TRANSITIONS are ATC assigned only. Do not file.
 CRESTVIEW TRANSITION: (For aircraft being weather rerouted to join a jet route off CEW VORTAC or overflying CEW VORTAC to join a direct route).
 MC COMB TRANSITION: (For aircraft being weather rerouted to join a jet route off MCB VORTAC or overflying MCB VORTAC to join a direct route).

NOTE: Chart not to scale.

(CONTINUED ON FOLLOWING PAGE)

CONROE/NORTH HOUSTON RGNL (CXO)
 HOUSTON, TEXAS

ALEXANDRIA THREE DEPARTURE



DEPARTURE ROUTE DESCRIPTION

TAKEOFF ALL RUNWAYS: When entering controlled airspace, climb on assigned heading for RADAR vectors to RAECN INT. Maintain ATC assigned altitude. Expect filed altitude 10 minutes after departure, thence. . . .

. . . .on IAH R-028 to VELCO INT, cross VELCO INT at or above 10000, then right turn on LFK R-082 and AEX R-265 to AEX VORTAC.

CRESTVIEW TRANSITION (AEX3.CEW): From over AEX VORTAC on AEX R-085 and MCB R-266 to MCB VORTAC, then on MCB R-095 and CEW R-277 to CEW VORTAC.

MC COMB TRANSITION (AEX3.MCB): From over AEX VORTAC on AEX R-085 and MCB R-266 to MCB VORTAC.

SC-5, 20 FEB 2025 to 20 MAR 2025

SC-5, 20 FEB 2025 to 20 MAR 2025