

RADAR and DME required.

**TOP ALTITUDE:  
ASSIGNED BY ATC**

**TAKEOFF MINIMUMS**  
Rwys 1, 14, 19, 32: Standard.



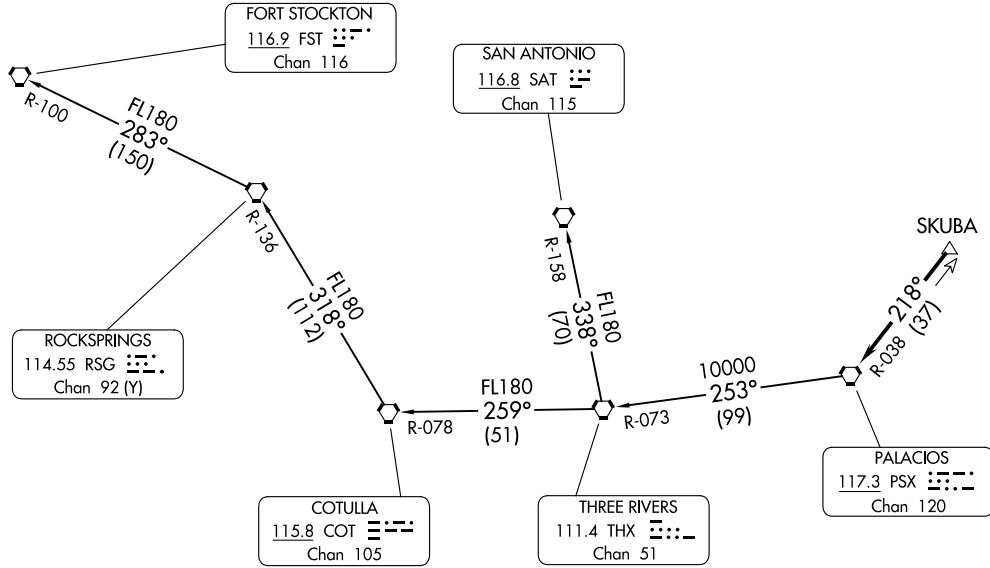
ATIS  
118.325  
CLNC DEL  
120.45  
CLNC DEL  
119.55 (when twr closed)  
GND CON  
120.45  
CONROE TOWER ★  
124.125 (CTAF)  
HOUSTON DEP CON  
119.7 281.4

**PALACIOS THREE DEPARTURE**  
(PSX3.PSX) 03NOV22

**PALACIOS THREE DEPARTURE**  
(PSX3.PSX) 24137

AL-5573 (FAA)

CONROE/NORTH HOUSTON RGNL (CXO)  
HOUSTON, TEXAS



NOTE: Chart not to scale.

(CONTINUED ON FOLLOWING PAGE)

CONROE/NORTH HOUSTON RGNL (CXO)  
HOUSTON, TEXAS

# PALACIOS THREE DEPARTURE



## DEPARTURE ROUTE DESCRIPTION

TAKEOFF ALL RUNWAYS: When entering controlled airspace, climb on assigned heading for RADAR vectors to SKUBA. Maintain ATC assigned altitude. Expect filed altitude 10 minutes after departure, thence. . . .

. . . .on PSX R-038 to PSX VORTAC.

FORT STOCKTON TRANSITION (PSX3.FST): From over PSX VORTAC on PSX R-253 and THX R-073 to THX VORTAC, then on THX R-259 and COT R-078 to COT VORTAC, then on COT R-318 and RSG R-136 to RSG VORTAC, then on RSG R-283 and FST R-100 to FST VORTAC.

SAN ANTONIO TRANSITION (PSX3.SAT): From over PSX VORTAC on PSX R-253 and THX R-073 to THX VORTAC, then on SAT R-158 to SAT VORTAC.

SC-5, 20 FEB 2025 to 20 MAR 2025

SC-5, 20 FEB 2025 to 20 MAR 2025