

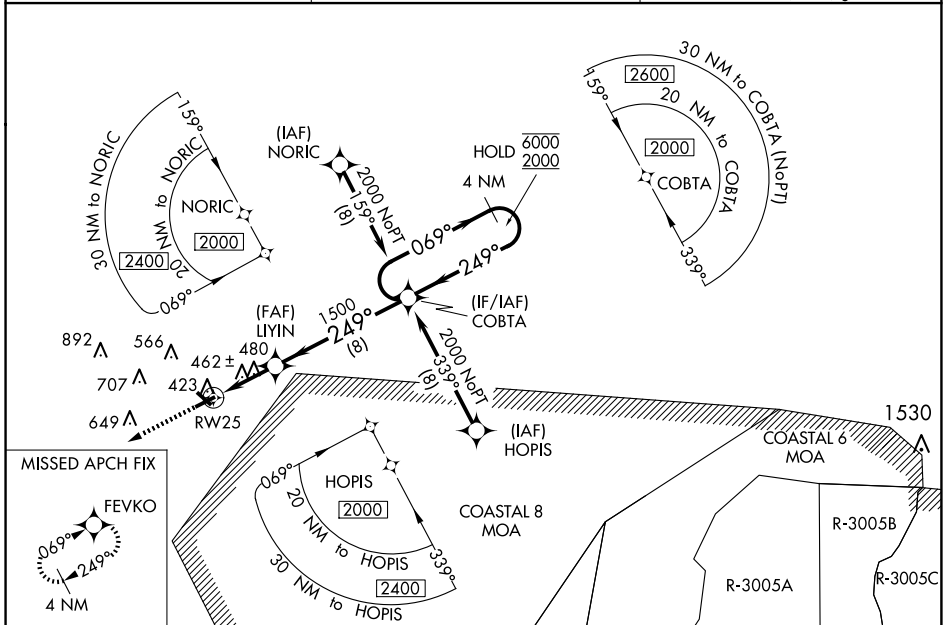
RNAV (GPS) RWY 25

VIDALIA RGNL (VDI)

WAAS CH 69609 W25A	APP CRS 249°	Rwy Idg TDZE Apt Elev	6002 273 274
--	------------------------	-----------------------------	---

RNP APCH - GPS.	MALSRR 	MISSED APPROACH: Climb to 2000 direct FEVKO and hold.
 Circling Rwy 32 NA at night. For uncompensated Baro-VNAV systems, LNAV/VNAV NA below -15°C or above 54°C. For inop ALS, increase LNAV/VNAV all Cats visibility to 3/8 SM and LNAV Cat C/D to 1 3/8 SM.		

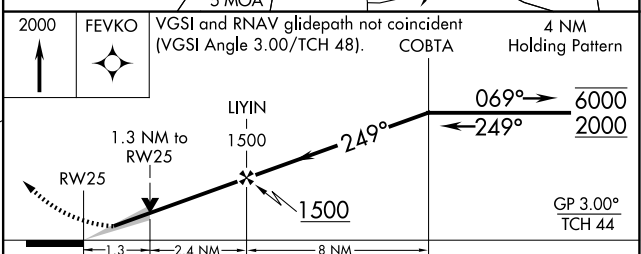
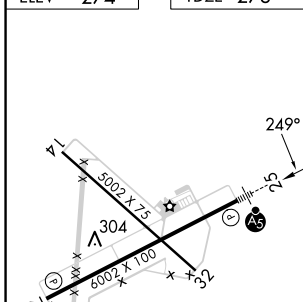
AWOS-3 119.925	JACKSONVILLE CENTER 127.575 269.025	UNICOM 122.8 (CTAF) 0
--------------------------	---	---------------------------------



SE-4, 20 FEB 2025 to 20 MAR 2025

SE-4, 20 FEB 2025 to 20 MAR 2025

ELEV 274	TDZE 273
----------	----------



CATEGORY	A	B	C	D
LPV DA	473-1/2		200 (200-1/2)	
LNAV/VNAV DA	584-1/2		311 (400-1/2)	
LNAV MDA	740-1/2 467 (500-1/2)		740-1 467 (500-1)	
CIRCLING	740-1 466 (500-1)		920-1 3/4 1060-2 1/2 646 (700-1 3/4) 786 (800-2 1/2)	

HIRL Rwy 7-25
REIL Rwy 7

VIDALIA, GEORGIA
Amdt 2B 27JAN22

32°12'N-82°22'W

VIDALIA RGNL (VDI)

RNAV (GPS) RWY 25