

ALEXANDRIA THREE DEPARTURE  
(AEX3.AEX) 07OCT21

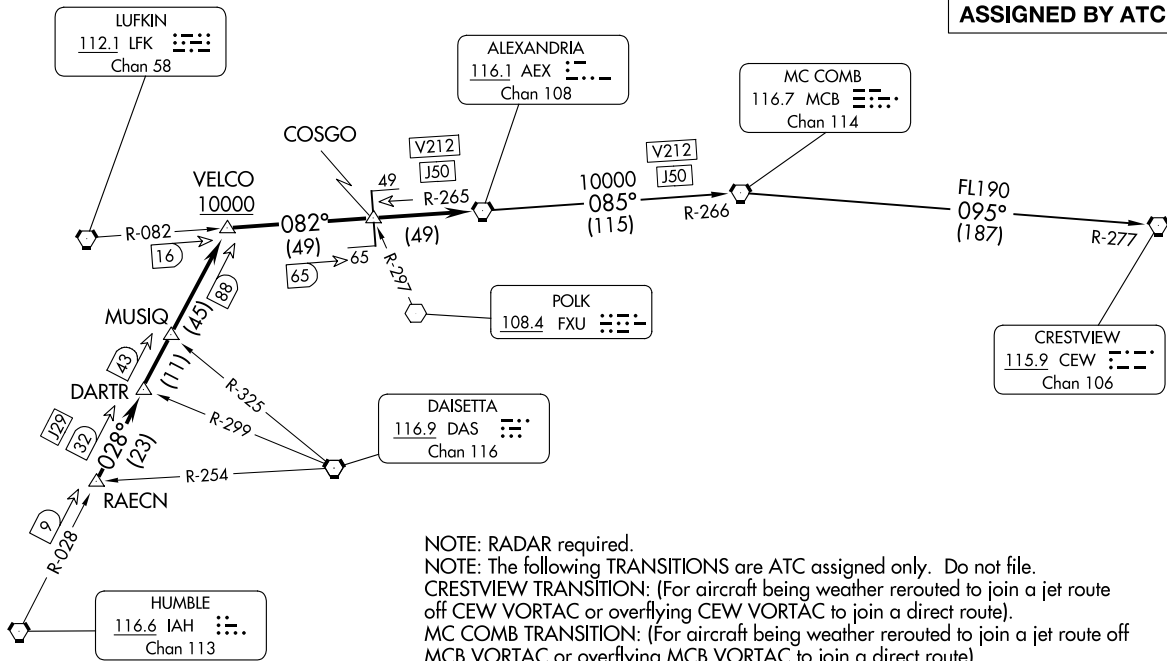
ALEXANDRIA THREE DEPARTURE  
(AEX3.AEX) 24137

A1-6079 (FAA)

WEST HOUSTON (TWS)  
HOUSTON, TEXAS

TOP ALTITUDE:  
ASSIGNED BY ATC

CLNC DEL  
121.15  
CTAF  
123.05  
HOUSTON DEP CON  
123.8 257.7



NOTE: RADAR required.  
 NOTE: The following TRANSITIONS are ATC assigned only. Do not file.  
 CRESTVIEW TRANSITION: (For aircraft being weather rerouted to join a jet route off CEW VORTAC or overflying CEW VORTAC to join a direct route).  
 MC COMB TRANSITION: (For aircraft being weather rerouted to join a jet route off MCB VORTAC or overflying MCB VORTAC to join a direct route).

TAKEOFF MINIMUMS  
 Rwys 15, 33: Standard.



NOTE: Chart not to scale.

(CONTINUED ON FOLLOWING PAGE)

HOUSTON, TEXAS  
WEST HOUSTON (TWS)

# ALEXANDRIA THREE DEPARTURE



## DEPARTURE ROUTE DESCRIPTION

TAKEOFF ALL RUNWAYS: When entering controlled airspace, climb on assigned heading for RADAR vectors to RAECN INT. Maintain ATC assigned altitude. Expect filed altitude 10 minutes after departure, thence. . . .

. . . .on IAH R-028 to VELCO INT, cross VELCO INT at or above 10000, then right turn on LFK R-082 and AEX R-265 to AEX VORTAC.

CRESTVIEW TRANSITION (AEX3.CEW): From over AEX VORTAC on AEX R-085 and MCB R-266 to MCB VORTAC, then on MCB R-095 and CEW R-277 to CEW VORTAC.

MC COMB TRANSITION (AEX3.MCB): From over AEX VORTAC on AEX R-085 and MCB R-266 to MCB VORTAC.

SC-5, 20 FEB 2025 to 20 MAR 2025

SC-5, 20 FEB 2025 to 20 MAR 2025