

WAAS CH 97614 W27A	APP CRS 275°	Rwy Idg TDZE Apt Elev	4502 763 763
--	------------------------	-----------------------------	---

RNAV (GPS) RWY 27

PUTNAM COUNTY (OWX)

RNP APCH.

▽ For uncompensated Baro-VNAV systems, LNAV/VNAV NA below -16°C or above 54°C .
△ NA Baro-VNAV and VDP NA when using Findlay altimeter setting. Rwy 27 helicopter visibility reduction below ¾ SM NA. When local altimeter setting not received, use Findlay altimeter setting and increase all DAs/MDAs 40 feet.

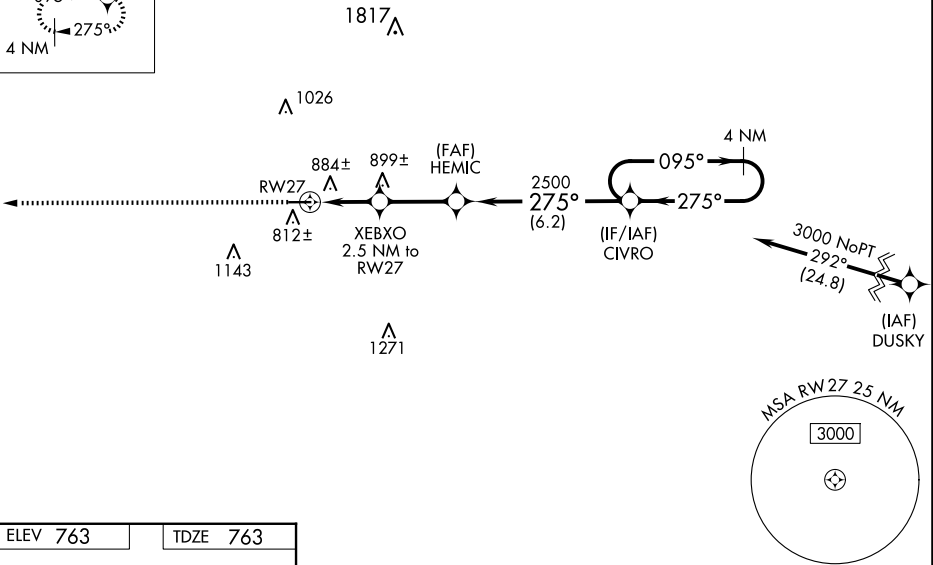
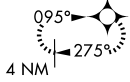
MISSED APPROACH:
 Climb to 3000 direct WIFES and hold.

AWOS-3
120.525

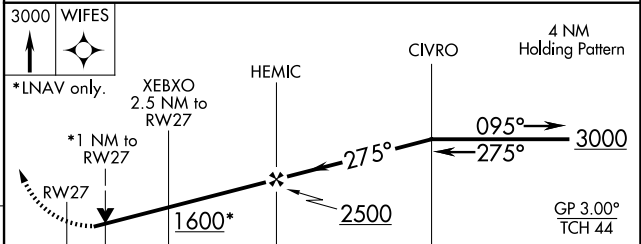
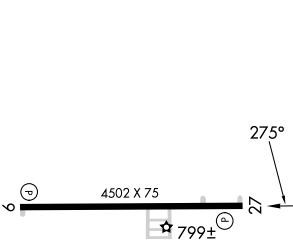
TOLEDO APP CON
120.8 317.55

UNICOM
122.7 (CTAF) 0

MISSED APCH FIX
WIFES



ELEV 763 TDZE 763



CATEGORY	A	B	C	D
LPV DA	1048-1	285 (300-1)		NA
LNAV/VNAV DA	1185-1½	422 (500-1½)		NA
LNAV MDA	1140-1	377 (400-1)		NA
CIRCLING	1200-1 437 (500-1)	1220-1 457 (500-1)		NA

REIL Rwy 9 and 27 **0**
 MIRL Rwy 9-27 **0**