

RADAR and DME required.

TOP ALTITUDE:
ASSIGNED BY ATC

(PSX3.PSX) 24137
PALACIOS THREE DEPARTURE

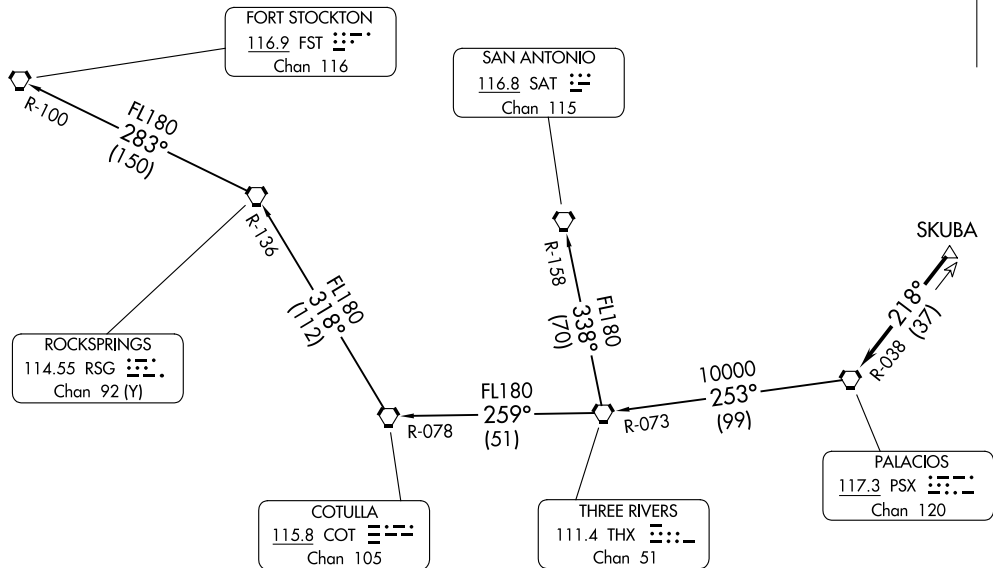
AL-6453 (FAA)

TEXAS GULF COAST RGNL (L.B.X)
ANGLETON/LAKE JACKSON, TEXAS

ASOS
119.925
CLNC DEL
125.2
CTAF
123.0
HOUSTON DEP CON
134.45 284.0

PALACIOS THREE DEPARTURE
(PSX3.PSX) 03NOV22

ANGLETON/LAKE JACKSON, TEXAS
TEXAS GULF COAST RGNL (L.B.X)



TAKEOFF MINIMUMS
Rwys 17, 35: Standard.

NOTE: Chart not to scale.

(CONTINUED ON FOLLOWING PAGE)



DEPARTURE ROUTE DESCRIPTION

TAKEOFF ALL RUNWAYS: When entering controlled airspace, climb on assigned heading for RADAR vectors to SKUBA. Maintain ATC assigned altitude. Expect filed altitude 10 minutes after departure, thence

. . . . on PSX R-038 to PSX VORTAC.

FORT STOCKTON TRANSITION (PSX3.FST): From over PSX VORTAC on PSX R-253 and THX R-073 to THX VORTAC, then on THX R-259 and COT R-078 to COT VORTAC, then on COT R-318 and RSG R-136 to RSG VORTAC, then on RSG R-283 and FST R-100 to FST VORTAC.

SAN ANTONIO TRANSITION (PSX3.SAT): From over PSX VORTAC on PSX R-253 and THX R-073 to THX VORTAC, then on SAT R-158 to SAT VORTAC.

SC-5, 20 FEB 2025 to 20 MAR 2025

SC-5, 20 FEB 2025 to 20 MAR 2025