

WAAS CH <b>82518</b> <b>W35A</b>	APP CRS <b>354°</b>	Rwy Idg TDZE Apt Elev	<b>3898</b> <b>822</b> <b>825</b>
--	------------------------	-----------------------------	---

# RNAV (GPS) RWY 35

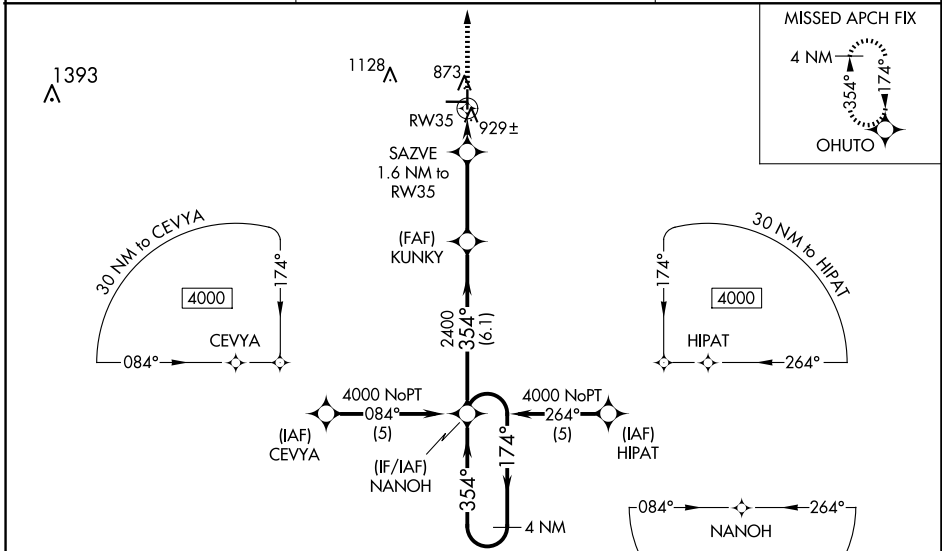
HUTSON FLD (GAF)

RNP APCH - GPS.

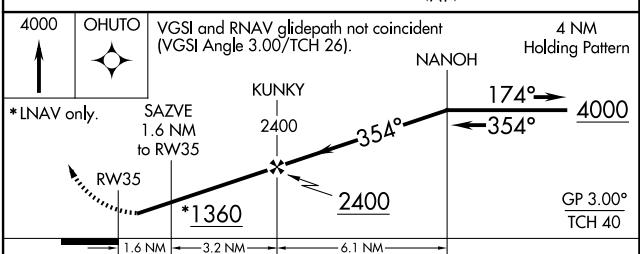
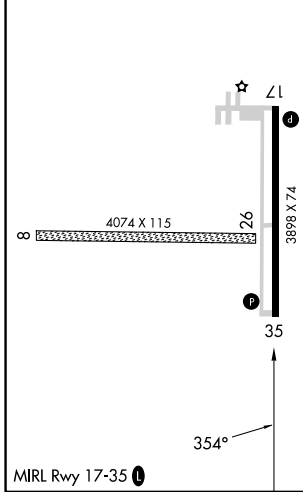
▼ For uncompensated Baro-VNAV systems, LNAV/VNAV NA below -16°C or above 54°C.  
 ▲ NA When local altimeter setting not received, use Grand Forks Intl altimeter setting: increase LPV DA to 1141 feet and all visibilities ¼ SM; increase LNAV/VNAV DA to 1268 feet and all visibilities ¼ SM; increase all MDA's 80 feet and visibility circling Cat C ¼ SM. Baro-VNAV NA when using Grand Forks Intl altimeter setting. Circling NA to Rwy 8 and 26.

MISSED APPROACH: Climb to 4000 direct OHUTO and hold, continue climb-in-hold to 4000.

AWOS-3 <b>118.625</b>	GRAND FORKS APP CON* <b>118.1 318.1</b>	UNICOM <b>122.8 (CTAF) 0</b>
--------------------------	--	---------------------------------



ELEV 825	TDZE 822
----------	----------



CATEGORY	A	B	C	D
LPV DA		1072-1	250 (300-1)	NA
LNAV/VNAV DA		1199-1¼	377 (400-1¼)	NA
LNAV MDA		1180-1	358 (400-1)	NA
CIRCLING	1340-1	515 (600-1)	1440-1¾ 615 (700-1¾)	NA

NC-1, 20 FEB 2025 to 20 MAR 2025

NC-1, 20 FEB 2025 to 20 MAR 2025