

APP CRS	Rwy Idg	3098
114°	TDZE	1336
	Apt Elev	1336

RNAV (GPS) RWY 11

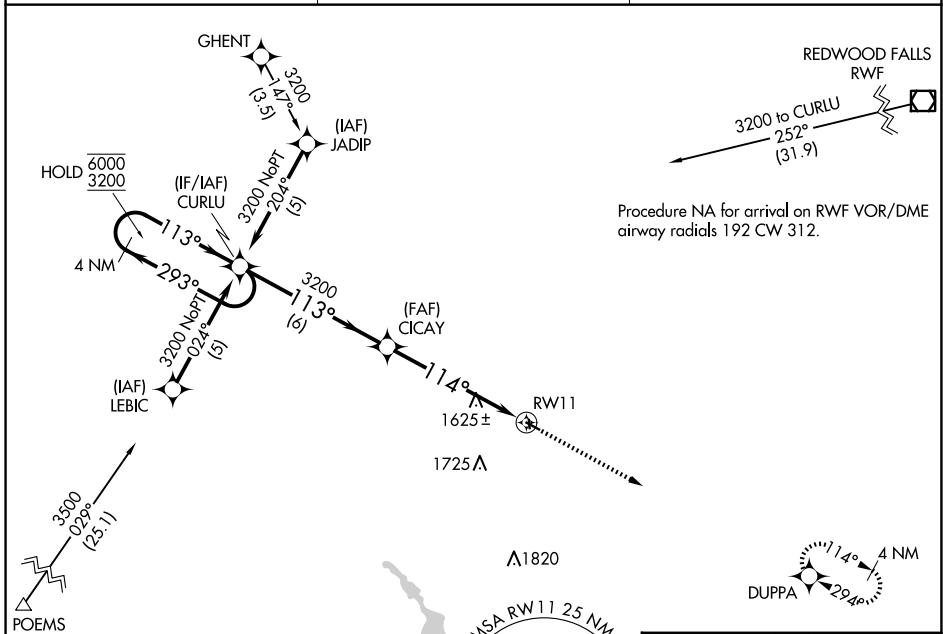
TRACY MUNI (TKC)

RNP APCH - GPS.

Procedure NA at night. Rwy 11 helicopter visibility reduction below 1 SM NA. Circling NA to Rwy 17-35.

MISSED APPROACH: Climb to 3000 direct DUPPA and hold.

AWOS-3PT 120.0	MINNEAPOLIS CENTER 127.1 290.2	CTAF 122.9
--------------------------	--	----------------------



REDWOOD FALLS RWF

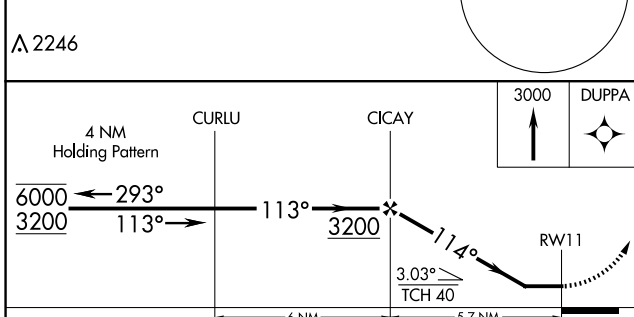
3200 to CURLU 252° (31.9)

Procedure NA for arrival on RWF VOR/DME airway radials 192 CW 312.

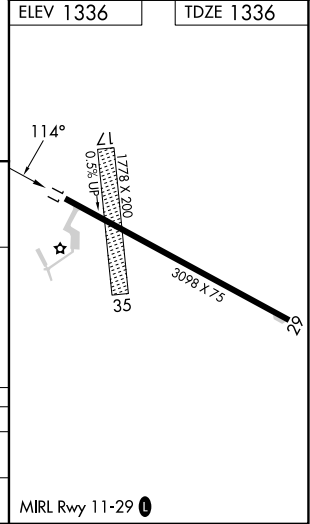
Procedure NA for arrivals at POEMS on V148 southwest bound.

MSA RWY 11 25 NM

ELEV 1336 TDZE 1336



CATEGORY	A	B	C	D
RNAV MDA	1920-1	584 (600-1)		NA
CIRCLING	1960-1	624 (700-1)		NA



NC-1, 20 FEB 2025 to 20 MAR 2025

NC-1, 20 FEB 2025 to 20 MAR 2025