

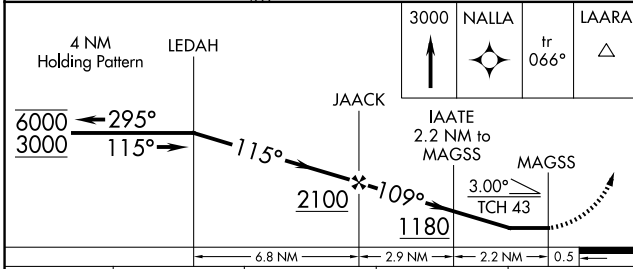
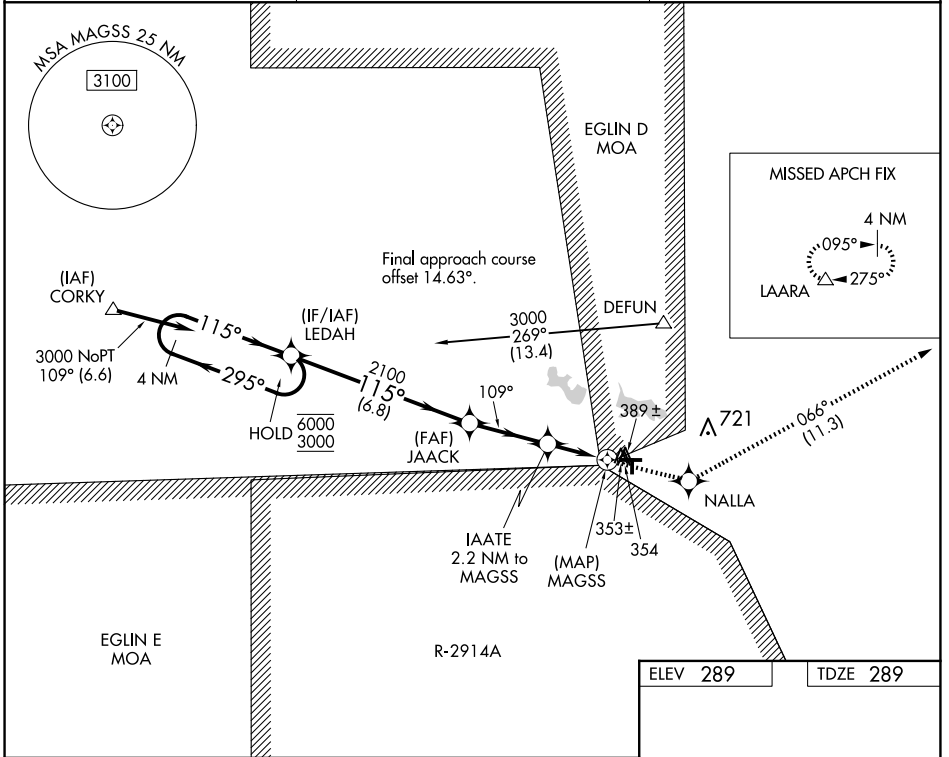
WAAS CH 40441 W09A	APP CRS 109°	Rwy Idg 4146 TDZE 289 Apt Elev 289
--	------------------------	---

RNAV (GPS) RWY 9

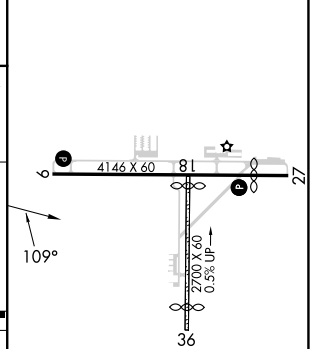
DEFUNIAK SPRINGS (54J)

RNP APCH.	MISSED APPROACH: Climb to 3000 direct NALLA and on track 066° to LAARA and hold.
<p>⚠ Circling NA to Rwys 18 and 36. Rwy 9 helicopter visibility reduction below 1 SM NA. Straight-in, Circling Rwy 9 NA at night.</p>	

AWOS-3P 118.725	EGLIN APP CON 124.05 284.65	UNICOM 123.05 (CTAF) 0
---------------------------	---------------------------------------	----------------------------------



ELEV 289	TDZE 289
----------	----------



CATEGORY	A	B	C	D
LP MDA	620-1	331 (400-1)		NA
LNAV MDA	640-1	351 (400-1)		NA
CIRCLING	700-1 411 (500-1)	920-1 631 (700-1)		NA

MIRL Rwy 9-27 0

SE-3, 20 FEB 2025 to 20 MAR 2025

SE-3, 20 FEB 2025 to 20 MAR 2025