

APP CRS **253°**  
 Rwy Idg **4498**  
 TDZE **2241**  
 Apt Elev **2241**

# RNAV (GPS) RWY 25

JOHNSON COUNTY (6A.4)

RNP APCH - GPS.

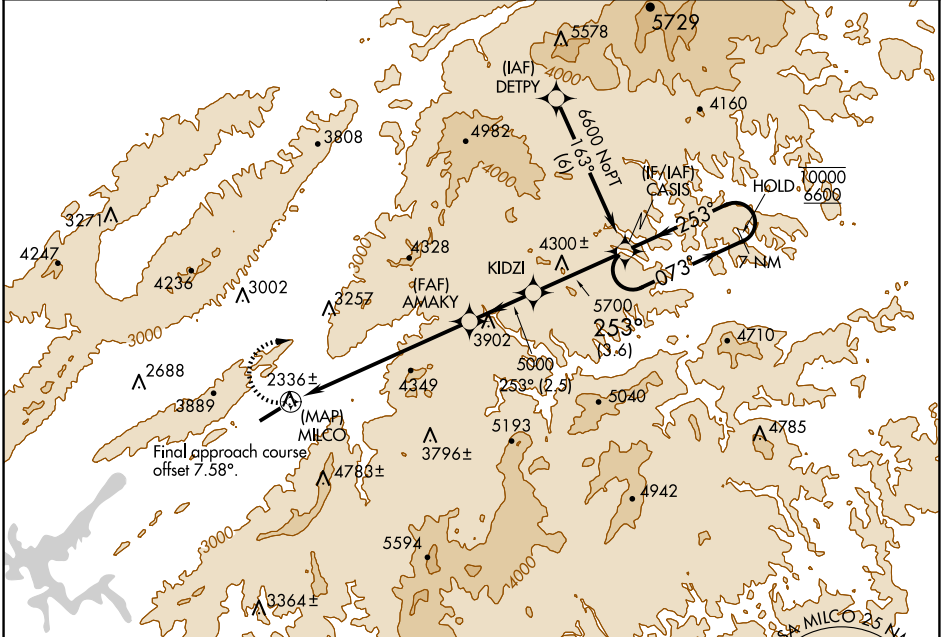
**▼** Rwy 25 helicopter visibility reduction below 1 SM NA. Circling NA for Cats C and D south of Rwy 7-25. When local altimeter setting not received, use Abingdon altimeter setting and increase all MDAs 80 feet. Procedure NA at night.

**MISSED APPROACH:**  
 Climbing right turn to 6600 direct CASIS and hold.

AWOS-3  
**126.225**

TRI-CITY APP CON ★  
**134.425 349.0**

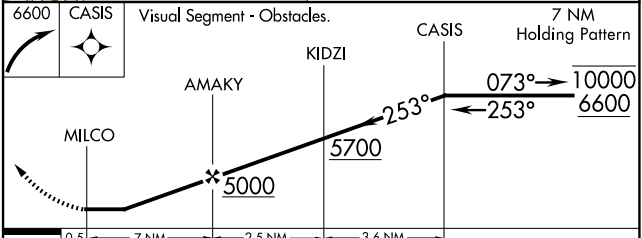
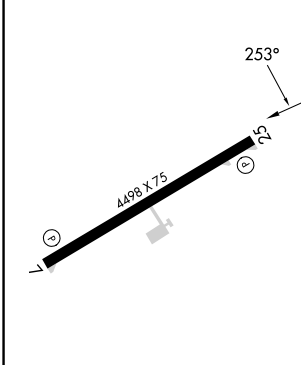
UNICOM  
**122.7 (CTAF)**



SE-1, 20 FEB 2025 to 20 MAR 2025

SE-1, 20 FEB 2025 to 20 MAR 2025

ELEV **2241** | TDZE **2241**



CATEGORY	A	B	C	D
LNAV MDA	4880-1¼ 2639 (2700-1¼)	4880-1½ 2639 (2700-1½)	4880-3 2639 (2700-3)	
CIRCLING	4880-1¼ 2639 (2700-1¼)	4880-1½ 2639 (2700-1½)	4880-3 2639 (2700-3)	