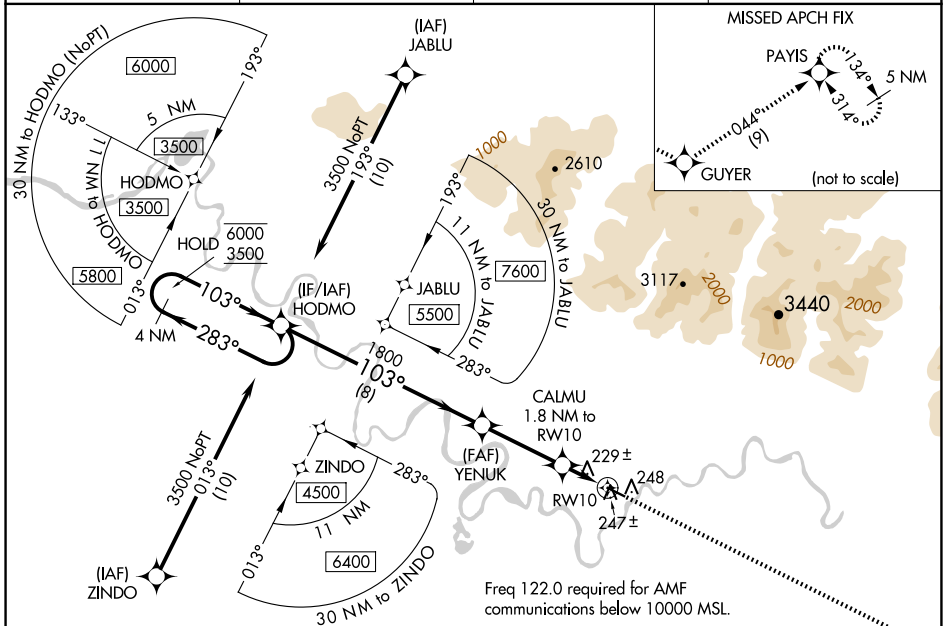


WAAS CH <b>50226</b> <b>W10A</b>	APP CRS <b>103°</b>	Rwy Idg TDZE Apt Elev	<b>4001</b> <b>192</b> <b>205</b>
--	------------------------	-----------------------------	---

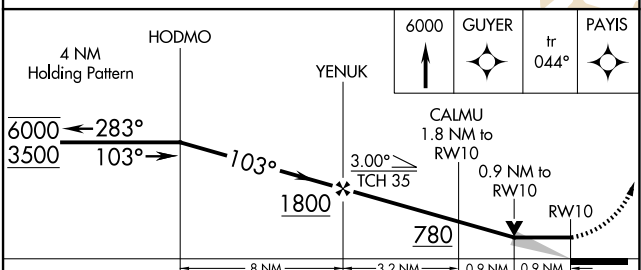
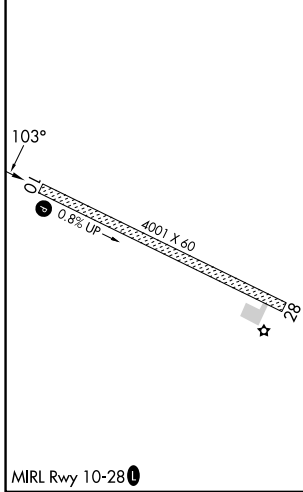
# RNAV (GPS) RWY 10

SHUNGNAK (SHG)(PAGH)

RNP APCH		MISSED APPROACH: Climb to 6000 direct GUYER and on track 044° to PAYIS and hold, continue climb-in-hold to 6000.	
<p>Circling to Rwy 28 NA at night. -35°C</p>			
AWOS-3P <b>118.525</b>	ANCHORAGE CENTER <b>119.2</b>	KOTZEBUE RADIO <b>122.0</b>	CTAF <b>122.7</b>



ELEV 205	TDZE 192
----------	----------



CATEGORY	A	B	C	D
LP MDA	480-1	288 (300-1)		NA
LNAV MDA	540-1	348 (400-1)		NA
CIRCLING	600-1 395 (400-1)	660-1 455 (500-1)	660-1½ 455 (500-1½)	NA

AK, 20 FEB 2025 to 17 APR 2025

AK, 20 FEB 2025 to 17 APR 2025