

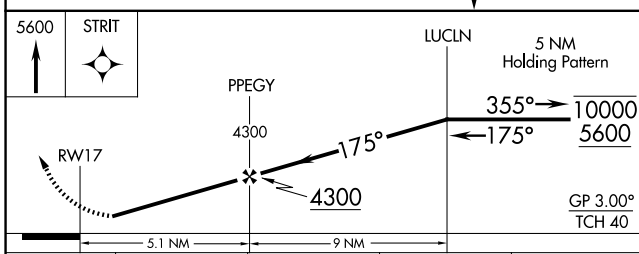
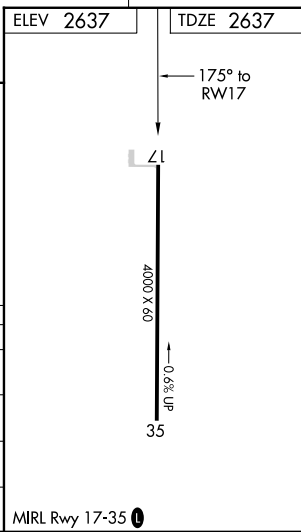
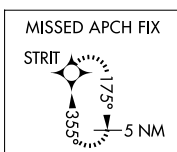
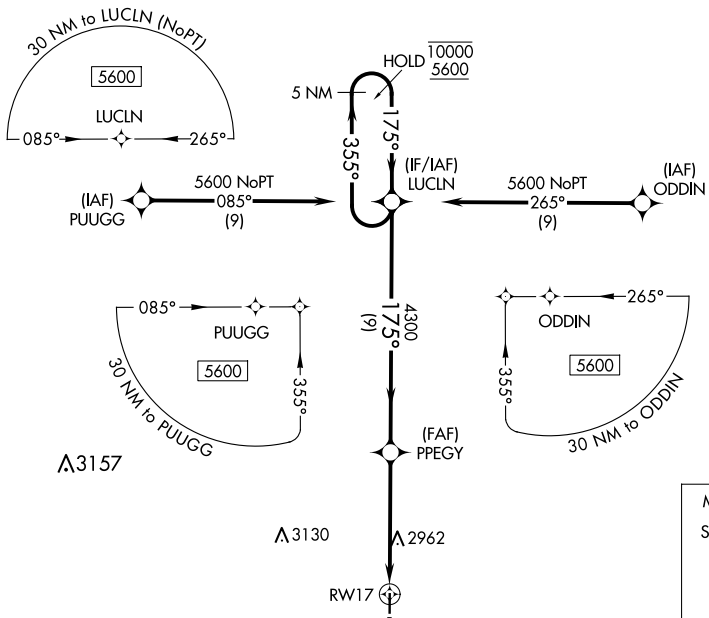
|                                        |                        |                                                     |             |
|----------------------------------------|------------------------|-----------------------------------------------------|-------------|
| WAAS<br>CH <b>81944</b><br><b>W17A</b> | APP CRS<br><b>175°</b> | Rwy Idg<br>TDZE <b>2637</b><br>Apt Elev <b>2637</b> | <b>4000</b> |
|----------------------------------------|------------------------|-----------------------------------------------------|-------------|

# RNAV (GPS) RWY 17

GOVE COUNTY (1QK)

|                                                                                                                             |                                                       |
|-----------------------------------------------------------------------------------------------------------------------------|-------------------------------------------------------|
| RNP APCH-GPS.                                                                                                               | MISSED APPROACH: Climb to 5600 direct STRIT and hold. |
| <p>▼ Rwy 17 helicopter visibility reduction below 3/4 SM NA.</p> <p>▲ NA Baro-VNAV NA. Use Hill City altimeter setting.</p> |                                                       |

|                            |                                       |                       |
|----------------------------|---------------------------------------|-----------------------|
| HLC ASOS<br><b>118.425</b> | DENVER CENTER<br><b>132.7 226.675</b> | CTAF<br><b>122.90</b> |
|----------------------------|---------------------------------------|-----------------------|



| CATEGORY     | A                     | B                     | C | D  |
|--------------|-----------------------|-----------------------|---|----|
| LPV DA       | 3007-1                | 370 (400-1)           |   | NA |
| LNAV/VNAV DA | 3430-2½               | 793 (800-2½)          |   | NA |
| LNAV MDA     | 3340-1                | 703 (800-1)           |   | NA |
| CIRCLING     | 3340-1<br>703 (800-1) | 3400-1<br>763 (800-1) |   | NA |

MIRL Rwy 17-35

NC-2, 20 FEB 2025 to 20 MAR 2025

NC-2, 20 FEB 2025 to 20 MAR 2025