

VALKARIA, FLORIDA

AL-11694 (FAA)

25023

APP CRS	Rwy Idg	NA
264°	TDZE	NA
	Apt Elev	26

RNAV (GPS)-A

VALKARIA (X59)

RNP APCH - GPS.

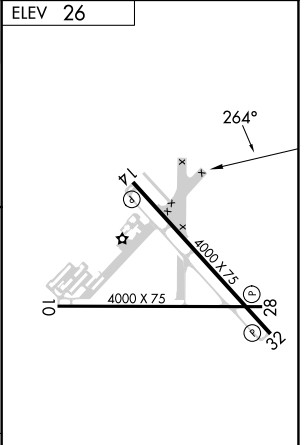
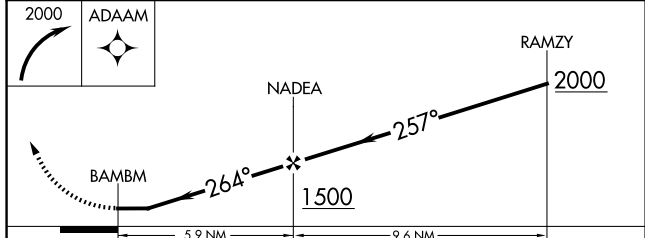
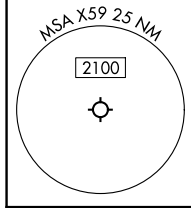
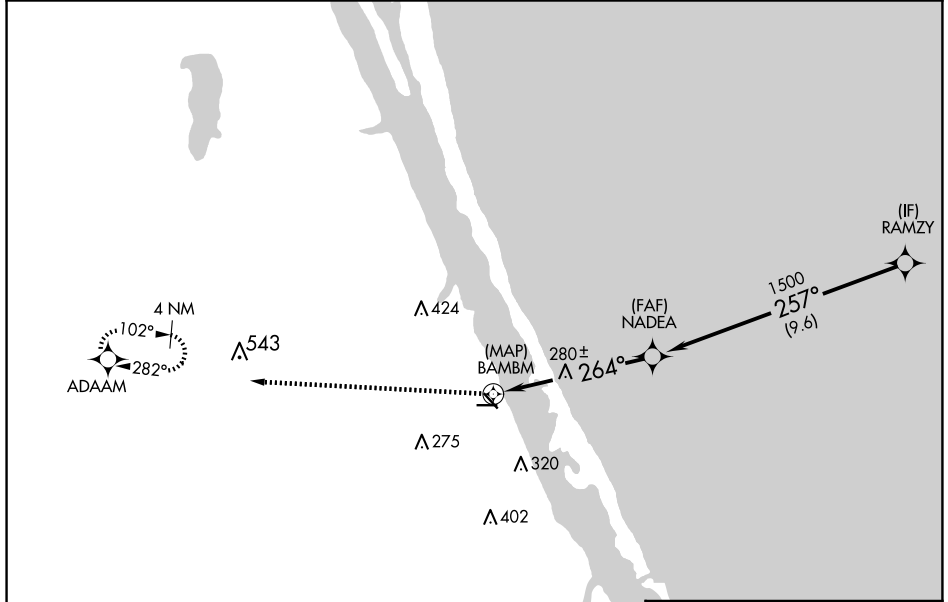
⚠ Circling Rwy 10, 14, 28 NA at night. Rwy 10, 14, and 28 helicopter visibility reduction below 1 SM NA. When local altimeter setting not received, use MLB altimeter setting and increase all MDAs 40 feet and visibility Cat C ¼ SM.

MISSED APPROACH: Climbing right turn to 2000 direct ADAAM and hold.

AWOS-3PT
119.525

ORLANDO APP CON
132.65 281.425

AUNICOM
122.725 (CTAF) ①



CATEGORY	A	B	C	D
CIRCLING	540-1	514 (600-1)	620-1½ 594 (600-1½)	780-2½ 754 (800-2½)

MIRL Rwys 14-32 ①

VALKARIA, FLORIDA
Orig 26DEC24

27°58'N-80°33'W

RNAV (GPS)-A

SE-3, 20 FEB 2025 to 20 MAR 2025

SE-3, 20 FEB 2025 to 20 MAR 2025