

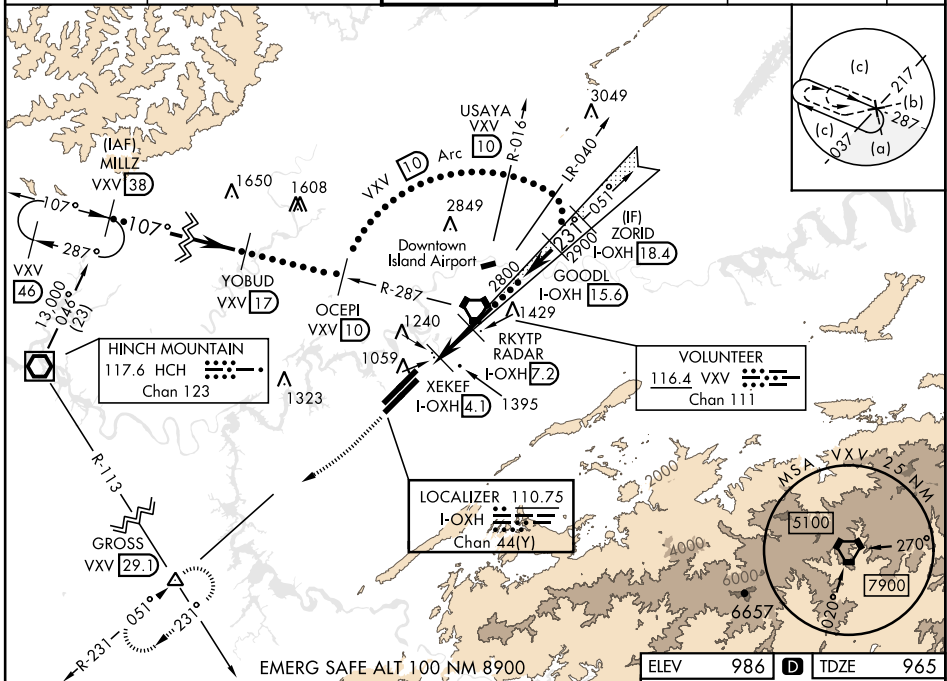
HI-ILS or LOC RWY 23L

LOC/DME I- OXH 110.75 Chan 44(Y)	APCH CRS 231°	Rwy ldg 8600 TDZE 965 Arpt Elev 986	[USAF]	MC GHEE TYSON (KTYS)
---	----------------------	--	--------	----------------------

DME or RADAR required.

MISSED APPROACH: Climb to 2000, then climbing right turn to 4000 on heading 240° VXV R-231 direct GROSS Int/29.1 DME and hold.

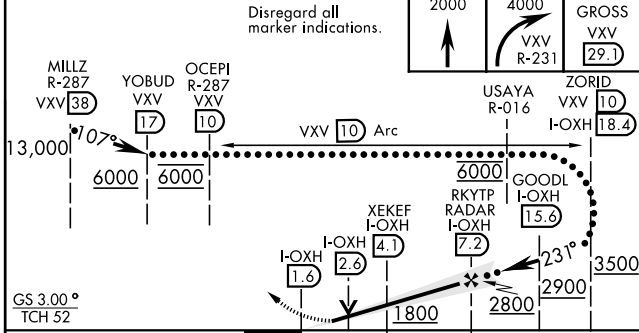
ATIS 128.35	KNOXVILLE APP CON 123.9 360.8	KNOXVILLE TOWER 121.2 257.8	GND CON 121.9 348.6	CLNC DEL 121.65	ASR
-----------------------	---	---------------------------------------	-------------------------------	---------------------------	-----



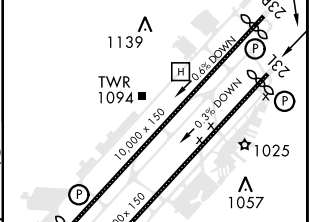
SE-1, 20 MAR 2025 to 17 APR 2025

SE-1, 20 MAR 2025 to 17 APR 2025

ELEV 986 TDZE 965 EMERG SAFE ALT 100 NM 8900



Rwy 05L ldg 9508'
Rwy 05R ldg 8600'
Rwy 23L ldg 8600'
Rwy 23R ldg 9495'
HIRL Rwy 5R-23L, 5L-23R
TDZL/CL Rwy 5R, 23R



CATEGORY	C	D	E
S-ILS 23L	1165-40	200 (200-¾)	
S-LOC 23L	1320-55	355 (400-1¼)	
CIRCLING	1660-2 679 (700-2)	1900-3 919 (1000-3)	

HI-ILS or LOC RWY 23L