

HI-ILS or LOC RWY 28R

LOC/DME I-IAP 111.3 Chan 50	APCH CRS 283°	Rwy Idg TDZE Arpt Elev 9290 31 31
---	-------------------------	---

[USAF]

PORTLAND INTL (KPDJ)

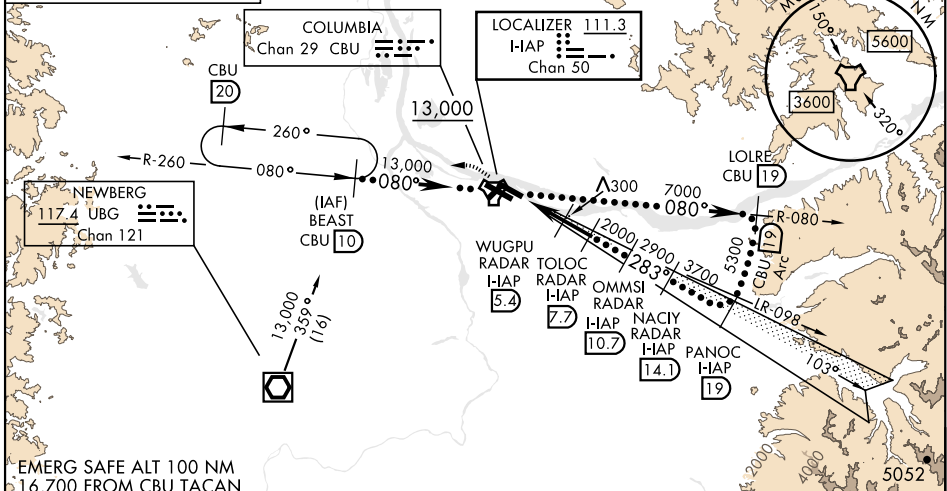
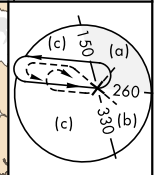
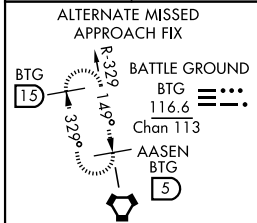
RADAR or DME required.

▼ *When ALS inop, increase CAT E RVR to 40.
**When ALS inop, increase CAT E vis to 1½.



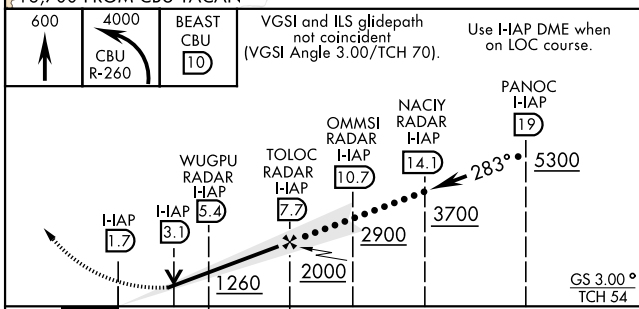
MISSED APPROACH: Climb to 600 then climbing left turn to 4000 on CBU TACAN R-260 to BEAST/ CBU 10 DME and hold, continue climb in holding to 4000.

ATIS 128.35 269.9	APP CON 118.1 284.6 (100°-279°) 124.35 299.2 (280°-099°)	TOWER 118.7 257.8 Rwy 10L-28R 123.775 251.125 Rwy 3-21, 10R-28L	GND CON 121.9 348.6	CLNC DEL 120.125 318.1
-----------------------------	--	---	-------------------------------	----------------------------------

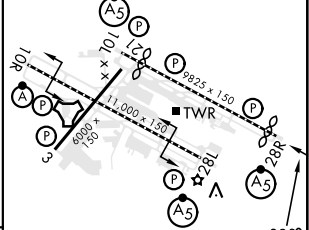


NW-1, 20 MAR 2025 to 17 APR 2025

NW-1, 20 MAR 2025 to 17 APR 2025



ELEV	31	TDZE	31
			Rwy 10L Idg 8535' Rwy 28R Idg 9290'



CATEGORY	C	D	E
S-ILS 28R *	281/24	250	(300-½)
S-LOC 28R **	560/55	529	(600-1)
CIRCLING	1060-3	1029	(1100-3)
			1140-3 1109 (1200-3)

REIL Rwy 3 and 21 TDZL/CL Rwy 10R MIRL Rwy 3-21 HIRL Rwy 10L-28R and 10R-28L					
FAF to MAP 6 NM					
Knots	120	140	160	180	200
Min:Sec	3:00	2:34	2:15	2:00	1:48

HI-ILS or LOC RWY 28R