

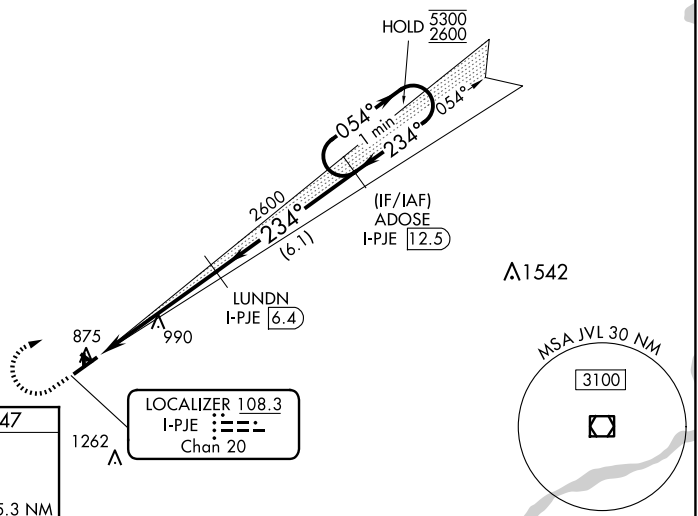
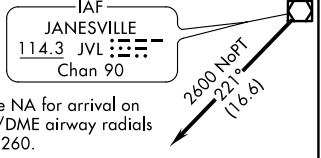
LOC/DME I-PJE 108.3 Chan 20	APP CRS 234°	Rwy Idg TDZE Apt Elev	5504 847 859
--	------------------------	-----------------------------	---

ILS or LOC RWY 24

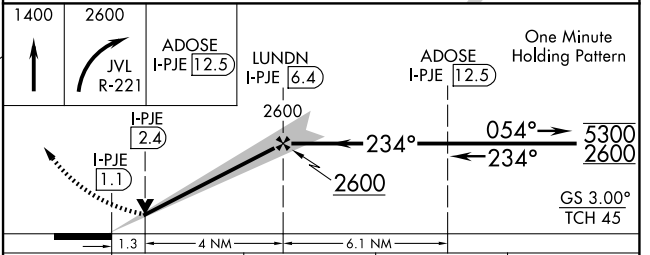
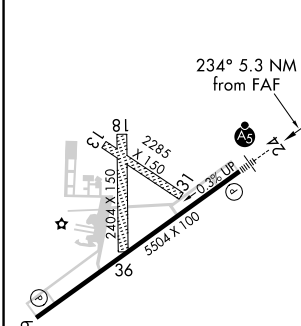
ALBERTUS (FEP)

DME required.	<p>NA</p> <p>VDP NA when using Chicago/Rockford altimeter setting. Circling NA to Rwys 13, 18, 31, 36. For inop ALS when using Chicago/Rockford altimeter setting, increase S-ILS 24 all Cats visibility to 7/8 SM. When local altimeter setting not received, use Chicago/Rockford altimeter setting: increase all DA to 1114 feet; increase all MDA 80 feet and S-LOC 24 Cat C/D visibility 1/8 SM and Circling Cat C/D 1/4 SM.</p>	<p>MALSR</p>	<p>MISSED APPROACH: Climb to 1400 then climbing right turn to 2600 on JVL VOR/DME R-221 to ADOSE/I-PJE 12.5 DME and hold.</p>

AWOS-3 120.525	ROCKFORD APP CON 126.0 327.0	CINC DEL 121.85	UNICOM 122.8 (CTAF)
--------------------------	--	---------------------------	-------------------------------



ELEV 859	TDZE 847
----------	----------



	A	B	C	D
CATEGORY	A	B	C	D
S-ILS 24	1047-1/2		200 (200-1/2)	
S-LOC 24	1300-1/2	453 (500-1/2)	1300-7/8	453 (500-7/8)
CIRCLING	1320-1 461 (500-1)	1400-1 541 (600-1)	1440-1 1/2 581 (600-1 1/2)	1620-2 1/2 761 (800-2 1/2)

EC-3, 20 MAR 2025 to 17 APR 2025

EC-3, 20 MAR 2025 to 17 APR 2025