

# HI-ILS or LOC Z RWY 22R

LOC I-JWU <b>108.7</b>	APCH CRS <b>223°</b>	Rwy Idg 22R <b>10,014</b> 22L <b>8014</b>	TDZE <b>240</b> <b>235</b>	Arprt Elev <b>241</b> <b>241</b>
---------------------------	-------------------------	---	----------------------------------	--

[USAF]

SHAW AFB (KSSC)

RADAR or DME required. RADAR required when R-6002 active.

▼ \* When ALS inop, increase RVR to 40 and vis to ¾ mile.  
\*\* When ALS inop, increase vis to 1 ¼ miles.



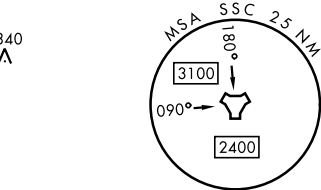
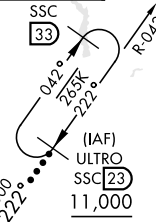
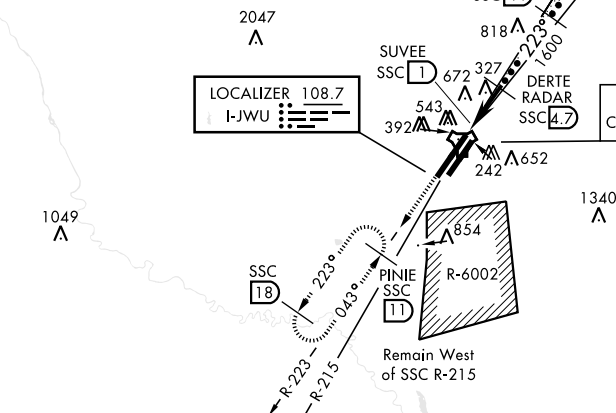
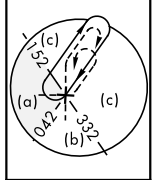
MISSED APPROACH: Climbing to 2000, intercept SSC TACAN R-223 to PINIE and hold.

ATIS ★ <b>132.125 270.1</b>	APP CON ★ <b>125.4 318.1</b>	TOWER ★ <b>126.65 254.25</b>	GND CON <b>126.1 275.8</b>
--------------------------------	---------------------------------	---------------------------------	-------------------------------

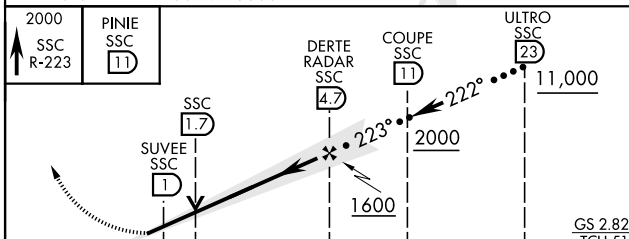
Sidestep Rwy 22L: Terrain 239' MSL, 200' prior to threshold, 200' right of course. When VGSi inop, sidestep procedure NA at night.

CAUTION: When Rwy 4L VGSi inop, circling to Rwy 04L, 22L NA at night. Terrain 239' MSL, 200' prior to threshold, 200' left of centerline.

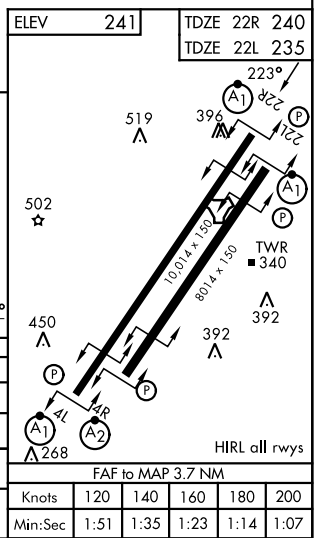
USAF ONLY: When VGSi inop, circling and sidestep to Rwy 22L authorized at night with approval from MAJCOM Director of Ops or equivalent.



EMERG SAFE ALT 100 NM 3800



CATEGORY	C	D	E
S-ILS 22R *	440/24	200 (200-½)	
S-LOC 22R **	660/40	420 (500-¾)	
SIDESTEP ** 22L	660-1 ¼	425 (500-1 ¼)	
CIRCLING	1000-2 ¼ 759 (800-2 ¼)	1000-2 ½ 759 (800-2 ½)	1000-2 ¾ 759 (800-2 ¾)



# HI-ILS or LOC Z RWY 22R

SE-2, 27 NOV 2025 to 25 DEC 2025

SE-2, 27 NOV 2025 to 25 DEC 2025