

SUMTER, SOUTH CAROLINA

TACAN Y RWY 22R

TACAN SSC Chan 38	APCH CRS 222°	Rwy Idg TDZE Arprt Elev	22R 10,014 240 241	22L 8014 235 241
-----------------------------	-------------------------	-------------------------------	--	--

[USAF]

SHAW AFB (KSSC)

RADAR required when R-6002 active.

▼ * When ALS inop, increase CAT AB RVR to 55, vis to 1 mile; CAT CDE vis to 1½ miles.

ALS F-1

MISSED APPROACH: Climbing to 2000, intercept SSC TACAN R-223 to PINIE and hold.

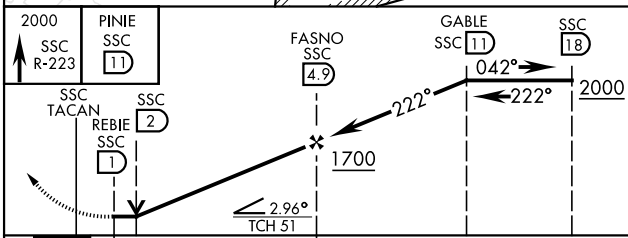
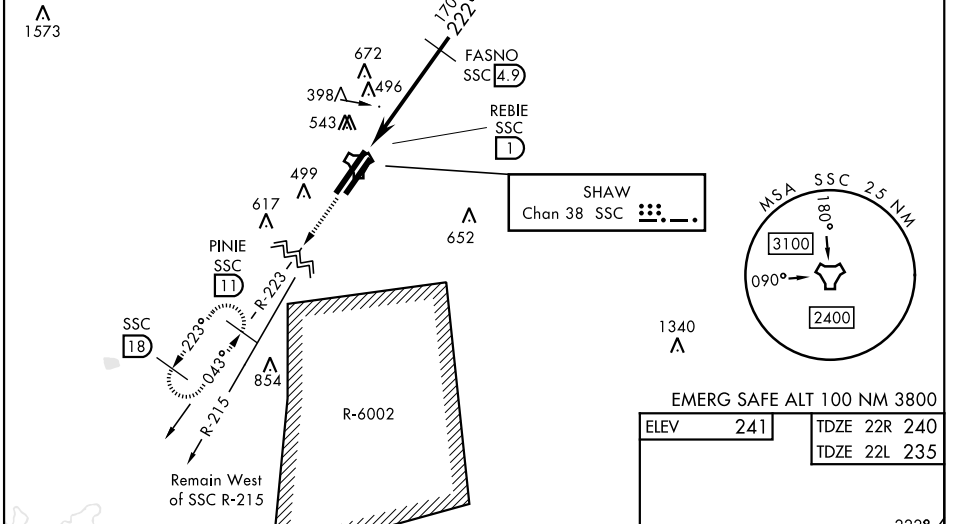
ATIS* 132.125 270.1	APP CON* 125.4 318.1	TOWER* 126.65 254.25	GND CON 126.1 275.8
-------------------------------	--------------------------------	--------------------------------	-------------------------------

** When ALS inop, increase CAT AB RVR to 55, vis to 1 mile; CAT CDE vis to 1½ miles.

Sidestep Rwy 22L: Terrain 239' MSL, 200' prior to threshold, 200' right of course. When VGSI inop, sidestep procedure NA at night.

CAUTION: When Rwy 4L, 22L VGSI inop, circling to Rwy 4L, 22L NA at night. Terrain 239' MSL, 200' prior to threshold, 200' left of centerline.

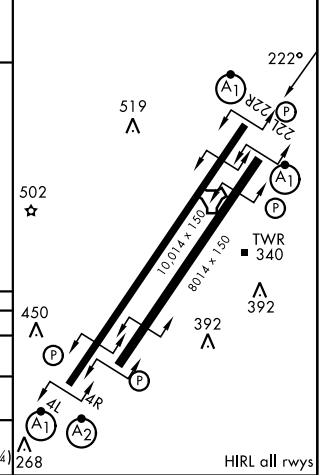
USAF Only: When Rwy 22L VGSI inop, sidestep or circling to Rwy 22L authorized at night with MAJCOM A3 approval.



CATEGORY	A	B	C	D	E
S-22R*	760/24	520 (600-½)	760/55	520 (600-1)	
SIDESTEP ** 22L	760/50	505 (600-1)	760/55	505 (600-1)	
CIRCLING	820-1 579 (600-1)	880-1 639 (700-1)	1000-2¼ 759 (800-2¼)	1000-2½ 759 (800-2½)	1000-2¾ 759 (800-2¾)

EMERG SAFE ALT 100 NM 3800

ELEV	241	TDZE 22R	240
		TDZE 22L	235



SUMTER, SOUTH CAROLINA
Amdt 1 07NOV19

33° 58' N-80° 28' W

SHAW AFB (KSSC)

TACAN Y RWY 22R

SE-2, 27 NOV 2025 to 25 DEC 2025

SE-2, 27 NOV 2025 to 25 DEC 2025