

TACAN Y RWY 4L

| | | | | |
|-----------------------------|-------------------------|------------------------------|---|---|
| TACAN SSC Chan 38 | APCH CRS 043° | Rwy Idg TDZE Arpt Elev | 4L 10,014 240 241 | 4R 8014 236 241 |
|-----------------------------|-------------------------|------------------------------|---|---|

[USAF]

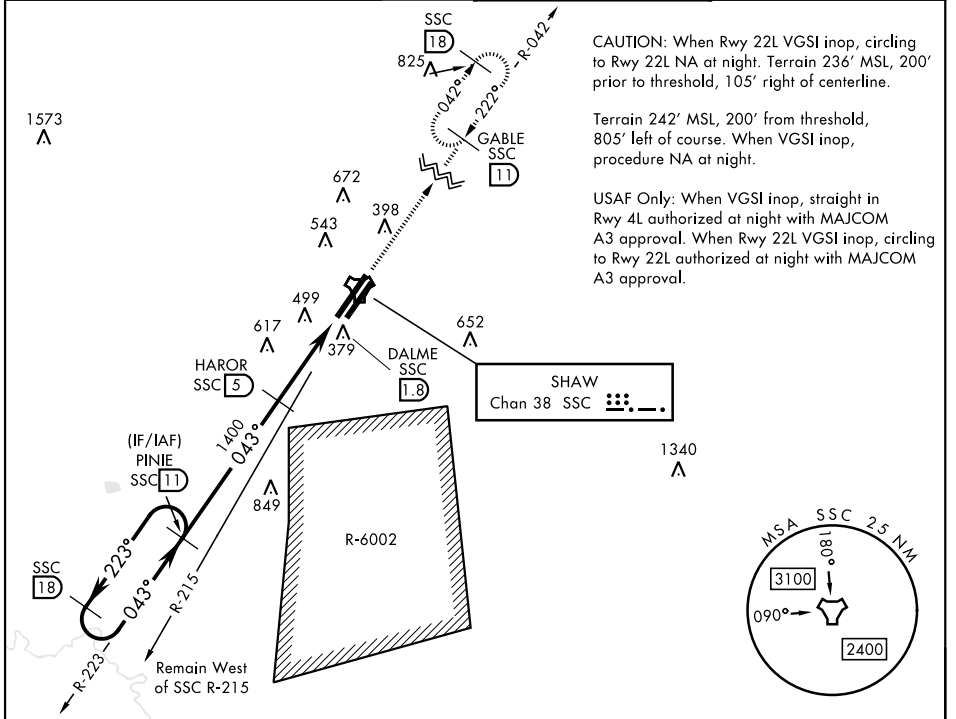
SHAW AFB (KSSC)

RADAR required when R-6002 active.

ALSF-1

MISSED APPROACH: Climbing to 2000, intercept SSC TACAN R-042 to GABLE and hold.

| | | | |
|--------------------------------|---------------------------------|---------------------------------|-------------------------------|
| ATIS ★ 132.125 270.1 | APP CON ★ 125.4 318.1 | TOWER ★ 126.65 254.25 | GND CON 126.1 275.8 |
|--------------------------------|---------------------------------|---------------------------------|-------------------------------|



CAUTION: When Rwy 22L VGSi inop, circling to Rwy 22L NA at night. Terrain 236' MSL, 200' prior to threshold, 105' right of centerline.

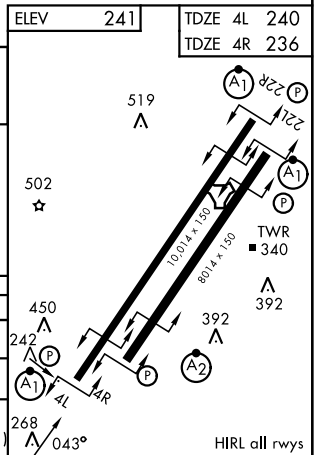
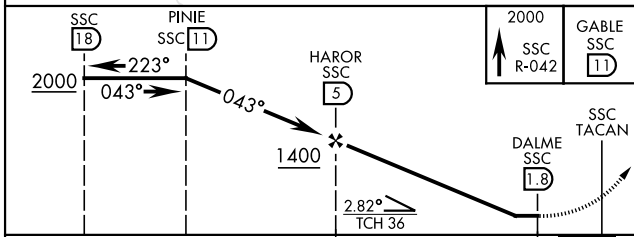
Terrain 242' MSL, 200' from threshold, 805' left of course. When VGSi inop, procedure NA at night.

USAF Only: When VGSi inop, straight in Rwy 4L authorized at night with MAJCOM A3 approval. When Rwy 22L VGSi inop, circling to Rwy 22L authorized at night with MAJCOM A3 approval.

SE-2, 27 NOV 2025 to 25 DEC 2025

SE-2, 27 NOV 2025 to 25 DEC 2025

EMERG SAFE ALT 100 NM 3800



| CATEGORY | A | B | C | D | E |
|------------------|----------------------|----------------------|-------------------------|-------------------------|-------------------------|
| S-4L * | 800/50 | 560 (600-1) | 800/60 | 560 (600-1½) | |
| SIDESTEP * 4R | 800/50 | 564 (600-1) | 800-1¾ | 564 (600-1½) | |
| CIRCLING | 820-1 579 (600-1) | 880-1 639 (700-1) | 1000-2¼ 759 (800-2¼) | 1000-2½ 759 (800-2½) | 1000-2¾ 759 (800-2¾) |

TACAN Y RWY 4L