

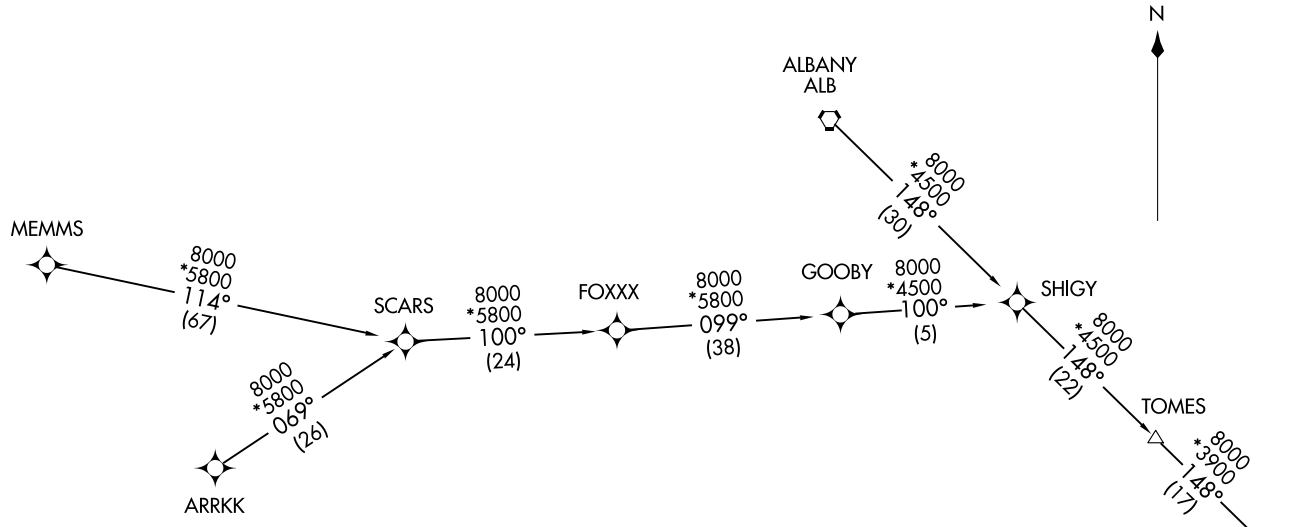
RNAV 1 - DME/DME/IRU OR GPS.
RADAR required.

NEW YORK APP CON
120.05 343.75
ISP ATIS
120.725

(NELIE.NELIE4) 25219
AL-948 (FAA)
NELIE FOUR ARRIVAL (RNAV) Transition Routes

NELIE FOUR ARRIVAL (RNAV) Transition Routes
(NELIE.NELIE4) 07AUG25

NEW YORK, NEW YORK



NELIE
See following page for arrival routes

ALBANY TRANSITION (ALB.NELIE4):
ARRKK TRANSITION (ARRKK.NELIE4):
MEMMS TRANSITION (MEMMS.NELIE4):

(CONTINUED ON FOLLOWING PAGE)

NOTE: Chart not to scale.

(NELIE.NELIE4) 26022

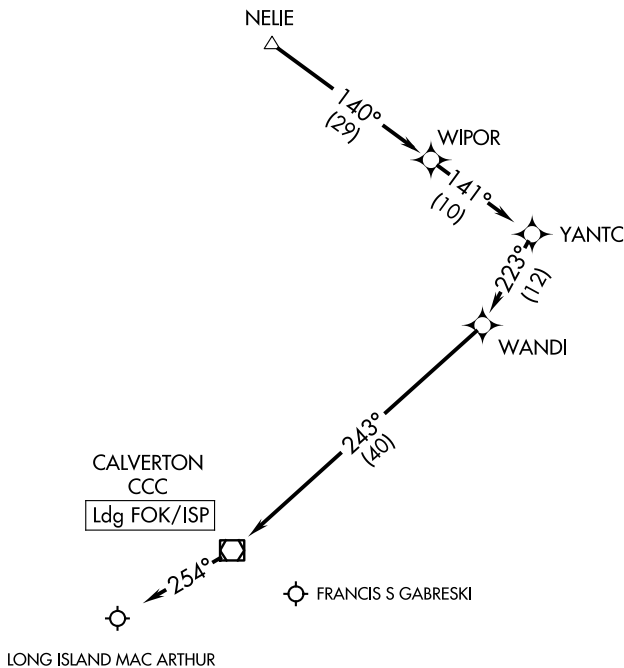
AL-948 (FAA)

NELIE FOUR ARRIVAL (RNAV) Arrival Routes

NEW YORK, NEW YORK

NEW YORK APP CON
120.05 343.75
ISP ATIS
120.725

RNAV 1 - DME/DME/IRU or GPS.
RADAR required.



NOTE: USE CAUTION: Parachute jump activity southeast of CCC VOR/DME AOB 14500 (SR-SS).

Note: Chart not to scale.

ARRIVAL ROUTE DESCRIPTION

LANDING ALL AIRPORTS: From NELIE on track 140° to WIPOR, then on track 141° to YANTC, then on track 223° to WANDI, then on track 243° to CCC VOR/DME, then on heading 254°. Expect RADAR vectors to final approach course.

NELIE FOUR ARRIVAL (RNAV) Arrival Routes

NEW YORK, NEW YORK

(NELIE.NELIE4) 07AUG25

NE-2, 19 MAR 2026 to 16 APR 2026

NE-2, 19 MAR 2026 to 16 APR 2026