

ALEXANDRIA THREE DEPARTURE  
(AEX3.AEX) 070C121

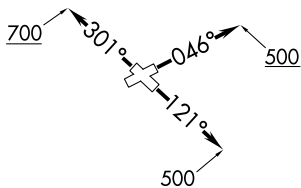
LA PORTE, TEXAS  
LA PORTE MUNI (T41)

HOUSTON DEP CON  
134.45 284.0  
CLNIC DEL  
125.6  
CTAF  
122.7

**TOP ALTITUDE:  
ASSIGNED BY ATC**

(AEX3.AEX) 25331  
ALEXANDRIA THREE DEPARTURE

LA PORTE MUNI (T41)  
LA PORTE, TEXAS  
AL-5433 (FAA)



LUFKIN  
112.1 LFK  
Chan 58

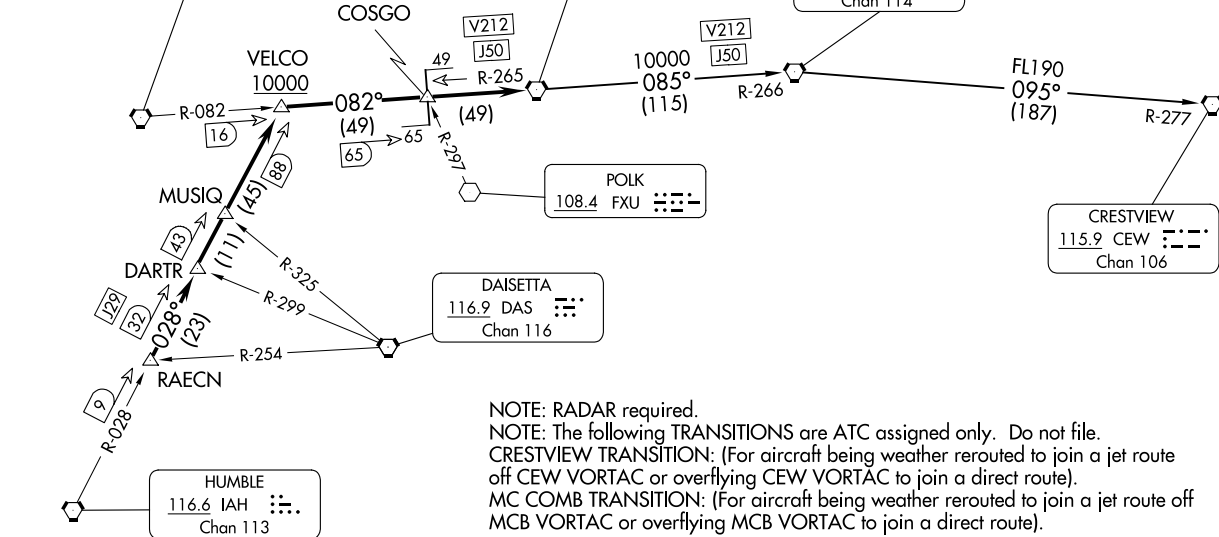
ALEXANDRIA  
116.1 AEX  
Chan 108

MC COMB  
116.7 MCB  
Chan 114

POLK  
108.4 FXU

DAISETTA  
116.9 DAS  
Chan 116

HUMBLE  
116.6 IAH  
Chan 113



NOTE: RADAR required.  
NOTE: The following TRANSITIONS are ATC assigned only. Do not file.  
CRESTVIEW TRANSITION: (For aircraft being weather rerouted to join a jet route off CEW VORTAC or overflying CEW VORTAC to join a direct route).  
MC COMB TRANSITION: (For aircraft being weather rerouted to join a jet route off MCB VORTAC or overflying MCB VORTAC to join a direct route).

TAKEOFF MINIMUMS  
Rwys 5, 12, 23, 30: Standard.

(CONTINUED ON FOLLOWING PAGE)

NOTE: Chart not to scale.

# ALEXANDRIA THREE DEPARTURE



## DEPARTURE ROUTE DESCRIPTION

TAKEOFF RUNWAY 5: Climb on heading 046° to 500 before turning. When entering controlled airspace, climb on assigned heading for RADAR vectors to RAECN INT. Maintain ATC assigned altitude. Expect filed altitude 10 minutes after departure, thence. . . .

TAKEOFF RUNWAY 12: Climb on heading 121° to 500 before turning. When entering controlled airspace, climb on assigned heading for RADAR vectors to RAECN INT. Maintain ATC assigned altitude. Expect filed altitude 10 minutes after departure, thence. . . .

TAKEOFF RUNWAY 23: When entering controlled airspace, climb on assigned heading for RADAR vectors to RAECN INT. Maintain ATC assigned altitude. Expect filed altitude 10 minutes after departure, thence. . . .

TAKEOFF RUNWAY 30: Climb on heading 301° to 700 before turning. When entering controlled airspace, climb on assigned heading for RADAR vectors to RAECN INT. Maintain ATC assigned altitude. Expect filed altitude 10 minutes after departure, thence. . . .

. . . .on IAH R-028 to VELCO INT, cross VELCO INT at or above 10000, then right turn on LFK R-082 and AEX R-265 to AEX VORTAC.

CRESTVIEW TRANSITION (AEX3.CEW): From over AEX VORTAC on AEX R-085 and MCB R-266 to MCB VORTAC, then on MCB R-095 and CEW R-277 to CEW VORTAC.

MC COMB TRANSITION (AEX3.MCB): From over AEX VORTAC on AEX R-085 and MCB R-266 to MCB VORTAC.

SC-5, 19 MAR 2026 to 16 APR 2026

SC-5, 19 MAR 2026 to 16 APR 2026