

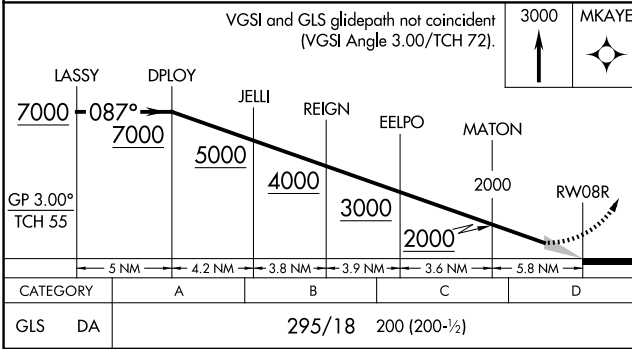
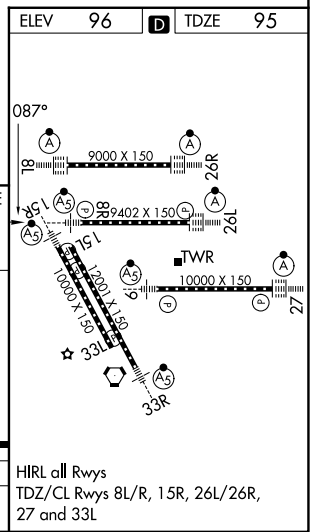
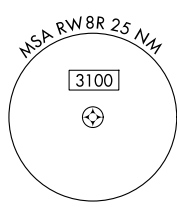
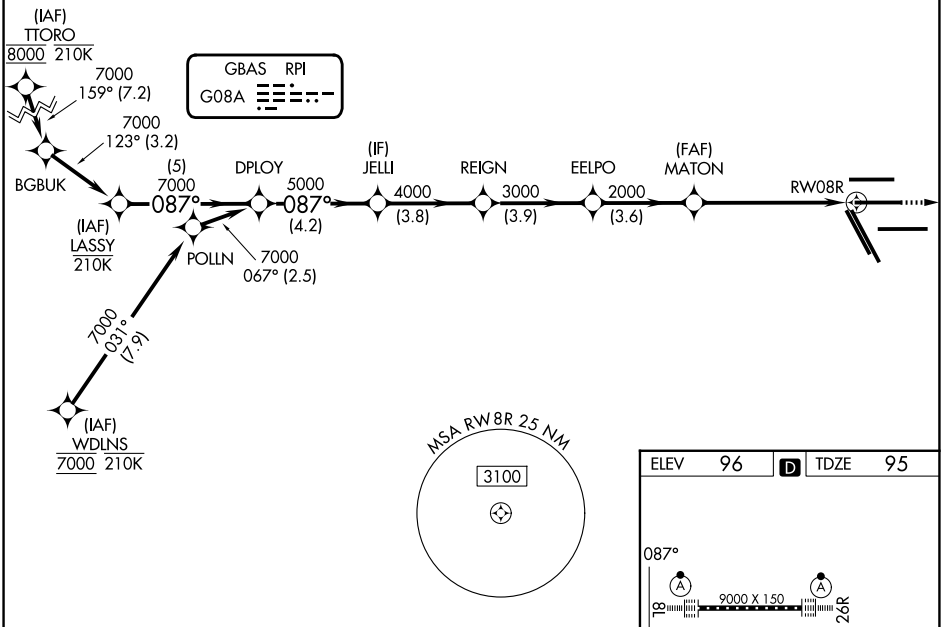
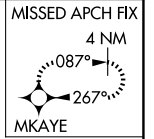
GBAS CH 20251 G08A	APP CRS 087°	Rwy Ldg TDZE Apt Elev	9402 95 96
--	------------------------	-----------------------------	---------------------------------------

GLS RWY 8R

GEORGE BUSH INTCNL/HOUSTON (IAH)

RNP APCH - GPS.		MALS R	MISSED APPROACH: Climb to 3000 direct MKAYE and hold.
Simultaneous approach authorized. Use of FD or AP required during simultaneous operations. Autopilot coupled approach NA below 295.			

D-ATIS 124.05	HOUSTON APP CON 120.05 379.1 E 124.35 316.15 W	HOUSTON TOWER 125.35 290.2	GND CON 118.575
-------------------------	--	--------------------------------------	---------------------------



SC-5, 19 MAR 2026 to 16 APR 2026

SC-5, 19 MAR 2026 to 16 APR 2026

HIRL all Rwys
TDZ/CL Rws 8L/R, 15R, 26L/26R,
27 and 33L