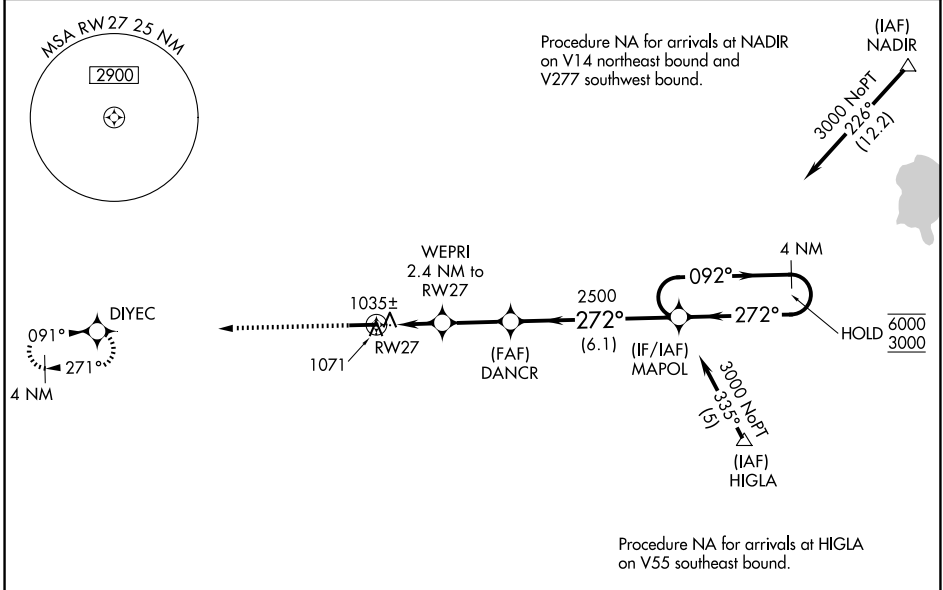


WAAS CH 73025 W27A	APP CRS 272°	Rwy Ldg TDZE 925 Apt Elev 925
--	------------------------	---

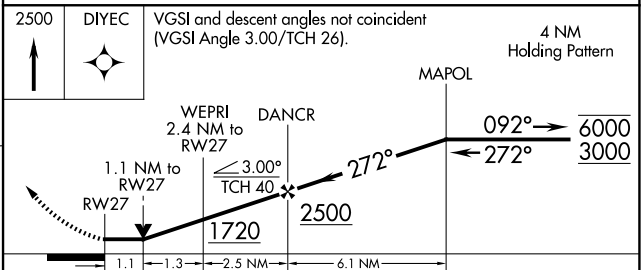
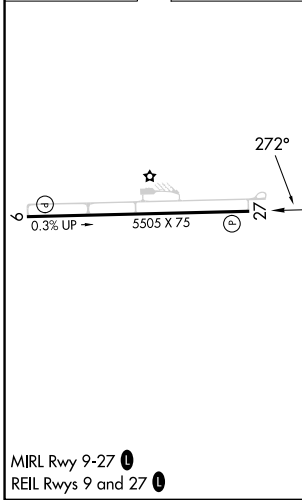
RNAV (GPS) RWY 27

PORTLAND MUNI (PLD)

RNP APCH - GPS.		MISSED APPROACH: Climb to 2500 direct DIYEC and hold.
<p>⚠ Rwy 27 helicopter visibility reduction below 3/4 SM NA. VDP NA when using FWA altimeter setting.</p>		
AWOS-3 124.675	FORT WAYNE APP CON 132.15 (SE/NE) 284.6 127.2 (SW/NW) 284.6	UNICOM 122.8 (CTAF) 0



ELEV 925	TDZE 925
-----------------	-----------------



CATEGORY	A	B	C	D
LP MDA	1300-1 375 (400-1)			
LNAV MDA	1380-1	455 (500-1)	1380-1 3/8	455 (500-1 3/8)
CIRCLING	1480-1	555 (600-1)	1580-1 3/4	1640-2 1/4 655 (700-1 3/4) 715 (800-2 1/4)

EC-2, 19 MAR 2026 to 16 APR 2026

EC-2, 19 MAR 2026 to 16 APR 2026