

ALEXANDRIA THREE DEPARTURE  
(AEX3.AEX) 07OCT21

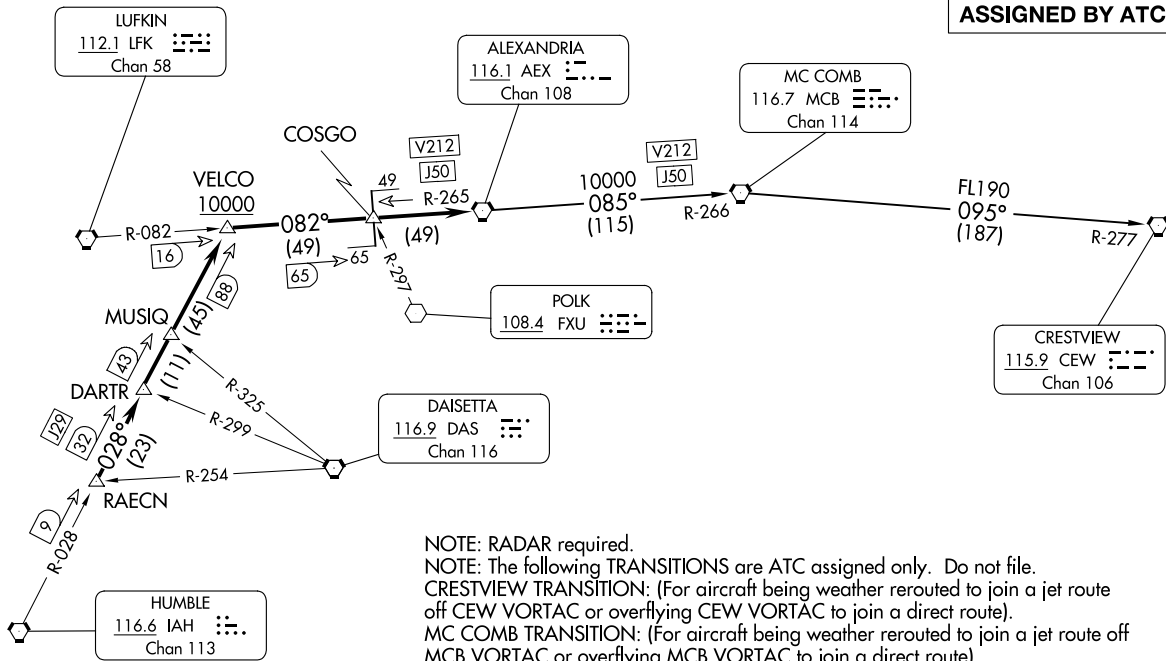
ALEXANDRIA THREE DEPARTURE  
(AEX3.AEX) 25331

A4-6079 (FAA)

WEST HOUSTON (TWS)  
HOUSTON, TEXAS

**TOP ALTITUDE:  
ASSIGNED BY ATC**

HOUSTON DEP CON  
123.8 257.7  
CLNC DEL  
121.15  
CTAF  
123.05



TAKEOFF MINIMUMS  
Rwys 15, 33: Standard.

NOTE: RADAR required.  
NOTE: The following TRANSITIONS are ATC assigned only. Do not file.  
CRESTVIEW TRANSITION: (For aircraft being weather rerouted to join a jet route off CEW VORTAC or overflying CEW VORTAC to join a direct route).  
MC COMB TRANSITION: (For aircraft being weather rerouted to join a jet route off MCB VORTAC or overflying MCB VORTAC to join a direct route).

(CONTINUED ON FOLLOWING PAGE)

NOTE: Chart not to scale.

HOUSTON, TEXAS  
WEST HOUSTON (TWS)

# ALEXANDRIA THREE DEPARTURE



## DEPARTURE ROUTE DESCRIPTION

TAKEOFF ALL RUNWAYS: When entering controlled airspace, climb on assigned heading for RADAR vectors to RAECN INT. Maintain ATC assigned altitude. Expect filed altitude 10 minutes after departure, thence. . . .

. . . .on IAH R-028 to VELCO INT, cross VELCO INT at or above 10000, then right turn on LFK R-082 and AEX R-265 to AEX VORTAC.

CRESTVIEW TRANSITION (AEX3.CEW): From over AEX VORTAC on AEX R-085 and MCB R-266 to MCB VORTAC, then on MCB R-095 and CEW R-277 to CEW VORTAC.

MC COMB TRANSITION (AEX3.MCB): From over AEX VORTAC on AEX R-085 and MCB R-266 to MCB VORTAC.

SC-5, 19 MAR 2026 to 16 APR 2026

SC-5, 19 MAR 2026 to 16 APR 2026