

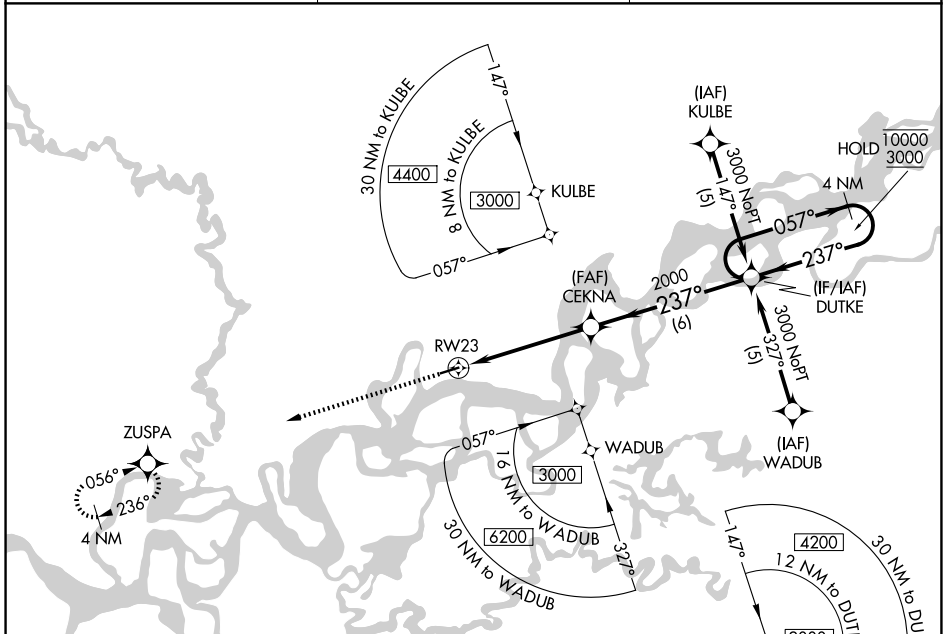
APP CRS <b>237°</b>	Rwy Ldg TDZE Apt Elev	<b>3934</b> <b>365</b> <b>365</b>
------------------------	-----------------------------	---

# RNAV (GPS) RWY 23

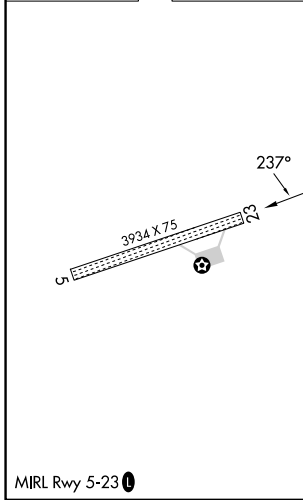
BEAVER (WBQ)(PAWB)

RNP APCH-GPS.  
 ▼ Rwy 23 helicopter visibility reduction below 3/4 SM NA.  
 ▲ NA Use Fort Yukon altimeter setting.  
 MISSED APPROACH: Climb to 3000 direct ZUSPA and hold.

FYU/PFYU AWOS-3P <b>125.8</b>	FAIRBANKS RADIO <b>122.05 122.15</b>	CTAF <b>122.9</b>
----------------------------------	---	----------------------



ELEV 365	TDZE 365
----------	----------



3000	ZUSPA	DUTKE	4 NM Holding Pattern
↑	✦		
	CEKNA		
	2000		
	5 NM	6 NM	
CATEGORY	A	B	C
LNAV MDA	940-1	575 (600-1)	940-1 5/8 575 (600-1 5/8)
CIRCLING	940-1	575 (600-1)	940-1 5/8 575 (600-1 5/8)
			D
			NA

AK, 19 MAR 2026 to 14 MAY 2026

AK, 19 MAR 2026 to 14 MAY 2026