

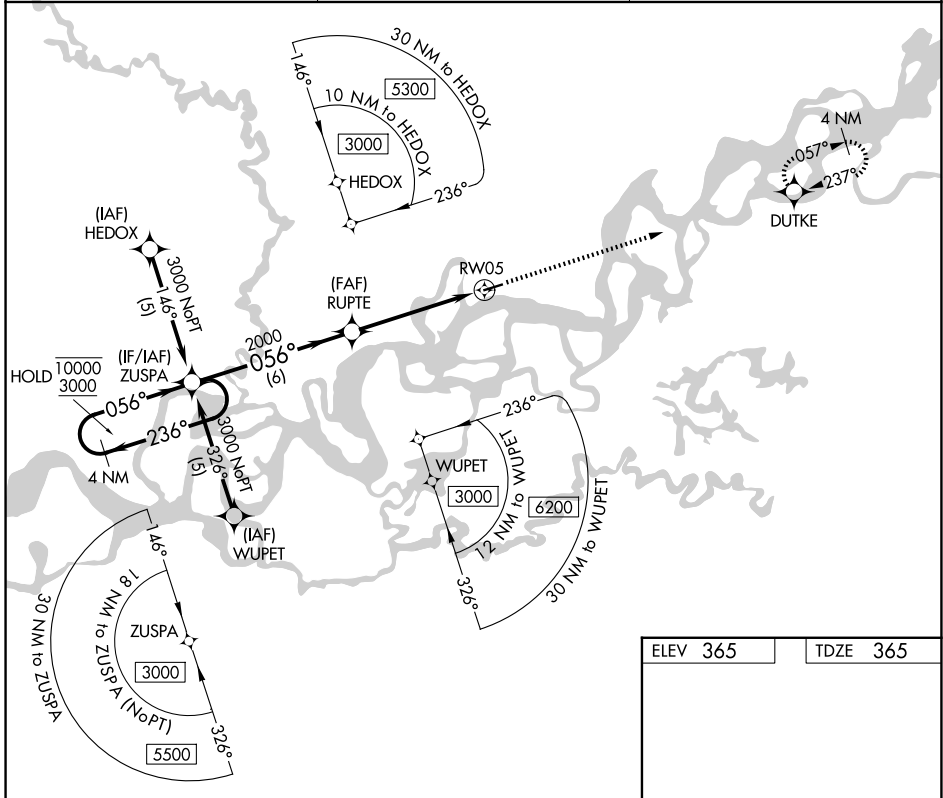
APP CRS	Rwy Ldg	<b>3934</b>
<b>056°</b>	TDZE	<b>365</b>
	Apt Elev	<b>365</b>

# RNAV (GPS) RWY 5

BEAVER (WBQ)(PAWB)

RNP APCH-GPS.	MISSED APPROACH: Climb to 3000 direct DUTKE and hold.
<p><b>V</b> Rwy 5 helicopter visibility reduction below 3/4 SM NA.</p> <p><b>NA</b> Use Fort Yukon altimeter setting.</p>	

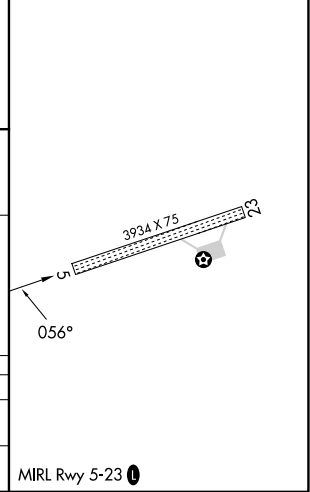
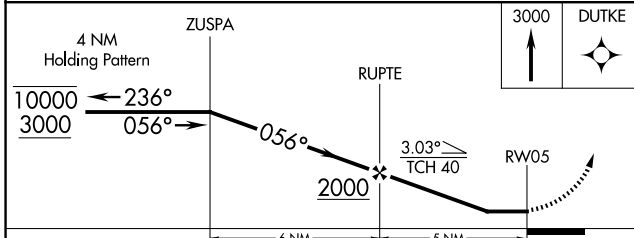
FYU/PFYU AWOS-3P <b>125.8</b>	FAIRBANKS RADIO <b>122.05 122.15</b>	CTAF <b>122.9 0</b>
----------------------------------	---	------------------------



AK, 19 MAR 2026 to 14 MAY 2026

AK, 19 MAR 2026 to 14 MAY 2026

ELEV 365	TDZE 365
----------	----------



CATEGORY	A	B	C	D
LNVA MDA	940-1	575 (600-1)	940-1 3/8 575 (600-1 3/8)	NA
CIRCLING	940-1	575 (600-1)	940-1 1/2 575 (600-1 1/2)	NA