

SNSFT FOUR DEPARTURE (RNAV)
(SNSFT4.SNSFT) 31MARR6

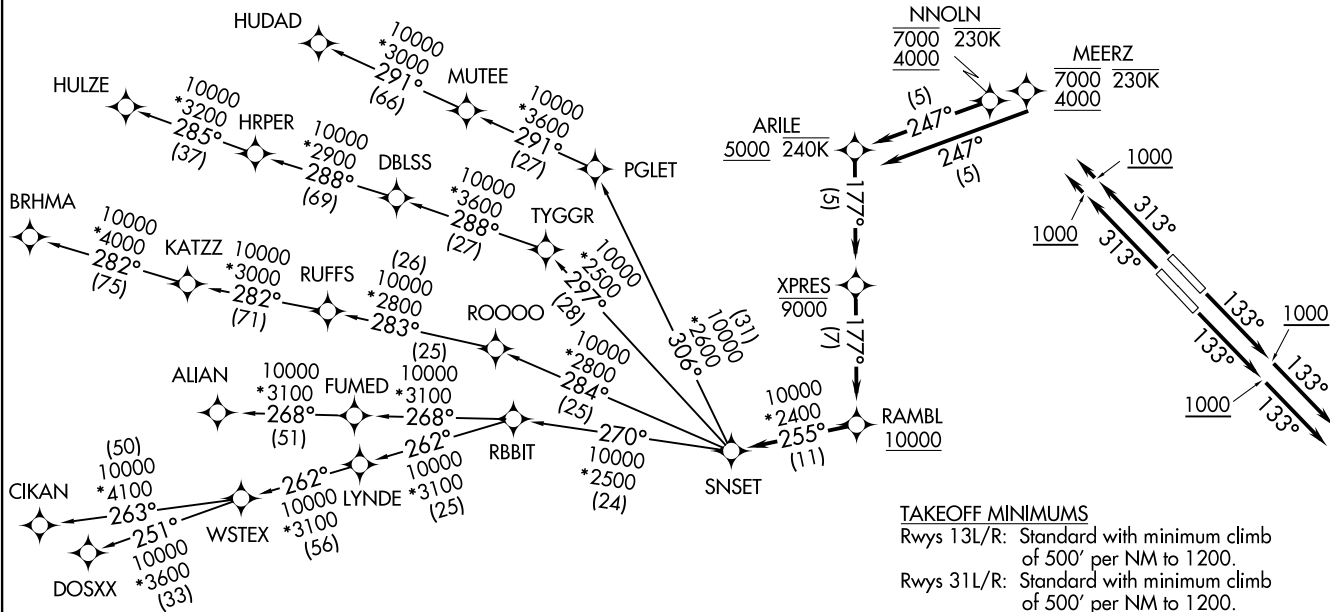
DALLAS, TEXAS
DALLAS LOVE FLD (DAL)

LONE STAR DEP CON
126.475 363.15
D-ATIS
120.15
CLINC DEL
127.9
CPDLC
GND CON
121.75 348.6
LOVE TOWER
123.7 239.3



NOTE: RADAR required.
NOTE: DME/DME/IRU or GPS required.
NOTE: RNAV 1.
NOTE: For use by turbojet aircraft only.
NOTE: RNAV-capable props: File and expect the SWABR RNAV SID.
NOTE: ALIAN Transition: ATC assigned only.
NOTE: Aircraft landing in Lubbock terminal area file the BRHMA enroute transition.

TOP ALTITUDE:
RWYS 13L/R: 3000
RWYS 31L/R: 10000



(CONTINUED ON FOLLOWING PAGE)

NOTE: Chart not to scale.

(SNSFT4.SNSFT) 24305
SNSFT FOUR DEPARTURE (RNAV)

AL-106 (FAA)

DALLAS, TEXAS
DALLAS LOVE FLD (DAL)

SNSET FOUR DEPARTURE (RNAV)



DEPARTURE ROUTE DESCRIPTION

TAKEOFF RUNWAY 13L/R: Climb heading 133° to 1000, then heading 133° or as assigned by ATC, maintain 3000, thence

. . . . expect RADAR vectors to cross RAMBL at or above 10000, then on track 255° to SNSET, then on (transition). Expect filed altitude 10 minutes after departure.

TAKEOFF RUNWAY 31L: Climb heading 313° to 1000, then direct to cross NNOLN at or above 4000, at or below 7000, then on track 247° to cross ARILE at or above 5000, thence

TAKEOFF RUNWAY 31R: Climb heading 313° to 1000, then direct to cross MEERZ at or above 4000, at or below 7000, then on track 247° to cross ARILE at or above 5000, thence

. . . . on track 177° to cross XPRES at or below 9000, then on track 177° to cross RAMBL at or above 10000, then on track 255° to SNSET, then on (transition). Maintain 10000. Expect filed altitude 10 minutes after departure.

- ALIAN TRANSITION (SNSET4.ALIAN)
- BRHMA TRANSITION (SNSET4.BRHMA)
- CIKAN TRANSITION (SNSET4.CIKAN)
- DOSXX TRANSITION (SNSET4.DOSXX)
- HUDAD TRANSITION (SNSET4.HUDAD)
- HULZE TRANSITION (SNSET4.HULZE)
- WSTEX TRANSITION (SNSET4.WSTEX)

SC-2, 16 APR 2026 to 14 MAY 2026

SC-2, 16 APR 2026 to 14 MAY 2026